

SEMICONDUCTOR MODULES



RECTIFYING THE FUTURE

SCOMES








SCOMES designs and manufactures high quality electronic and electromechanical products, particularly power modules for choppers and inverters and bridge rectifiers (for welder machines, battery chargers and for all the energy conversion devices).

Established in 1954, **SCOMES** began its history manufacturing electrical switchboards.

Over time, the creativity and the craft skills have increased and, from the encounter with technological research the small business set up in the postwar period became a real industry present in the electromechanical market for more than 60 years and active in the creation, production and distribution of high quality electronic and electromechanical products.

Today **SCOMES** is an industrial firm prominent in the local and global market: it established 4 production plants for a total of 20,000 square meters, with specialized and cutting-edge equipment, 75 highly qualified employees; therefore, it is a major company in the MADE IN ITALY industrial landscape, that exports 70% of production in more than 50 countries in the world, directly overseeing the entire production-distribution chain.

		DRAWING
 MRS - STANDARD RECOVERY DIODES POWER MODULE	p. 04	p. 05
 MMS - STANDARD RECOVERY DIODES POWER MODULE	p. 06	p. 08
 MTS - STANDARD RECOVERY DIODES POWER MODULE	p. 10	p. 14
 MKK - FAST RECOVERY DIODES POWER MODULES	p. 18	p. 20
 MCF - FAST RECOVERY DIODES POWER MODULES	p. 24	p. 26
 MMF - FAST RECOVERY DIODES POWER MODULE	p. 28	p. 28

This catalogue does not include the whole range of our production. We are able to meet all requirements with customized solutions according to client design.



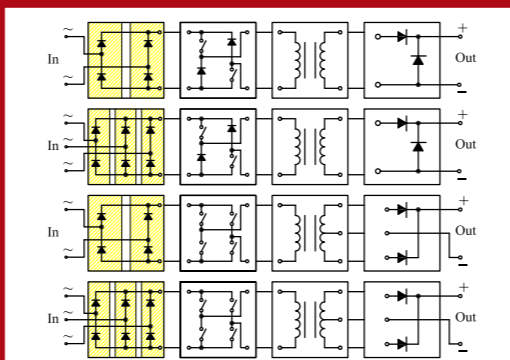
ABBREVIATIONS

Ifsm	[A]	Surge Forward Current
Iout	[A]	Output Current
Irrm	[mA]	Repetitive Peak Reverse Current
I ² t	[A ² s]	Maximum I ² t for Fusing
Rthc-h	[°C/W]	Thermal Resistance (Case to Heatsink)
Rthj-c	[°C/W]	Thermal Resistance (Junction-Case)
Tc	[°C]	Case Temperatures
Tj		Junction Temperature
Trr	[ns]	Reverse Recovery Time
Vfm	[V]	Forward maximum Voltage
Vrrm	[V]	Repetitive Peak Reverse Voltage



MRS

STANDARD RECOVERY DIODES POWER MODULE
INSULATED BASE - HALF BRIDGE



ELECTRICAL PARAMETERS

TYPE	V _{rrm} [V]	I _{out}		I _{fsm} T _j =150°C 10ms [A]	I ² t [A ² s]	V _{fm} T _j =25°C [V]	I _{rrm} T _j =150°C [mA]	R _{thj-c} [°C/W]	R _{thc-h} [°C/W]
		[A]	T _c [°C]						
MRS100.16	1600	100	83	1100	6050	1,2	4	0,53	0,100
MRS100.25	2500	100	50	1500	11250	2	5	0,48	0,100

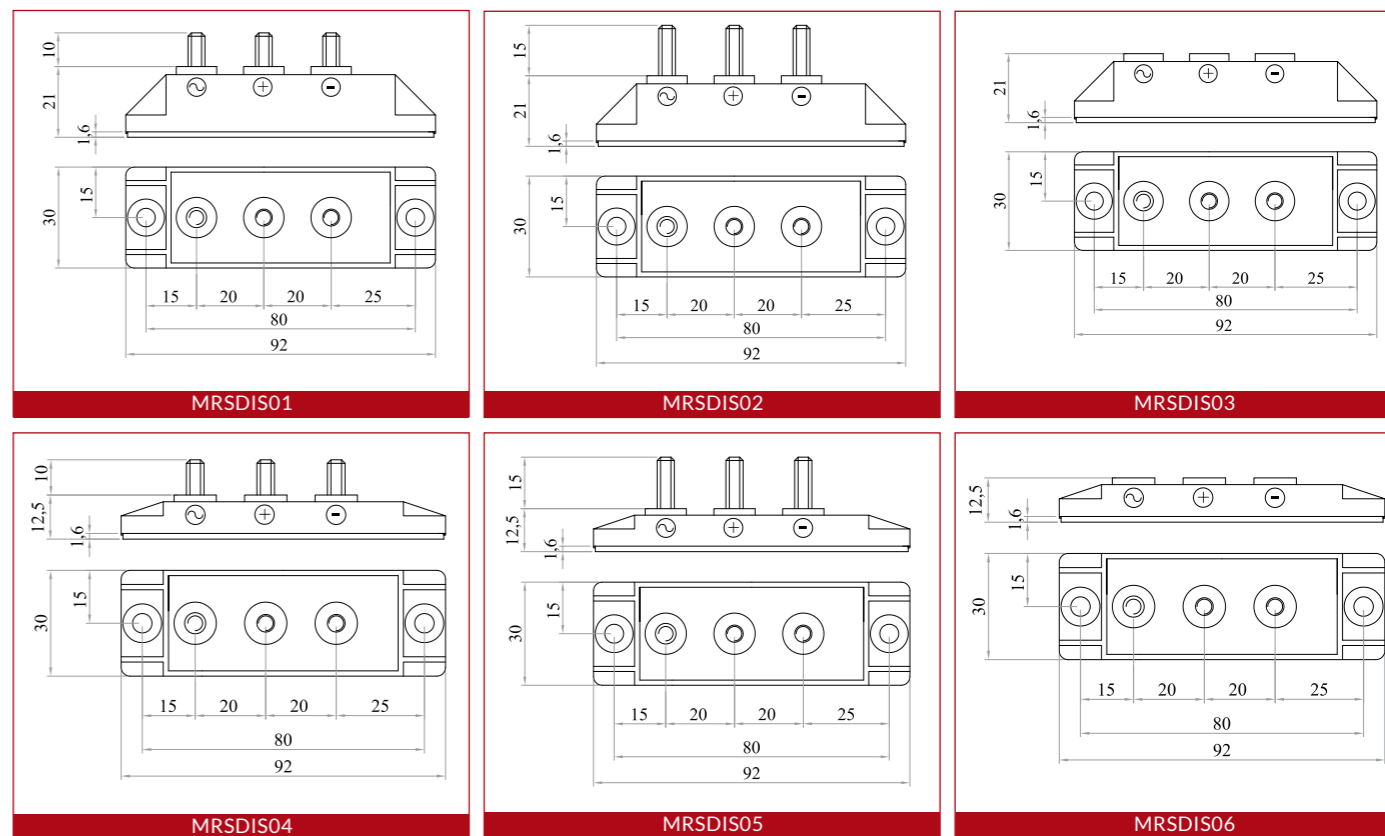
PRODUCT DETAILS MRS100.16

	POWER CONNECTION	CASE FIXING	DRAWING	PAGE	ORDERING CODE
LOW OUTLINE MALE POWER CONN.	MM5X10	FIX5	MRSDIS04	05	990001000003
	MM5X15	FIX5	MRSDIS05	05	990001000005
FEMALE POWER CONN.	SS5	FIX5	MRSDIS06	05	990001000001
HIGH OUTLINE MALE POWER CONN.	MM5X10	FIX5	MRSDIS01	05	990001000002
	MM5X15	FIX5	MRSDIS02	05	990001000004
FEMALE POWER CONN.	SS5	FIX5	MRSDIS03	05	990001000000

PRODUCT DETAILS MRS100.25

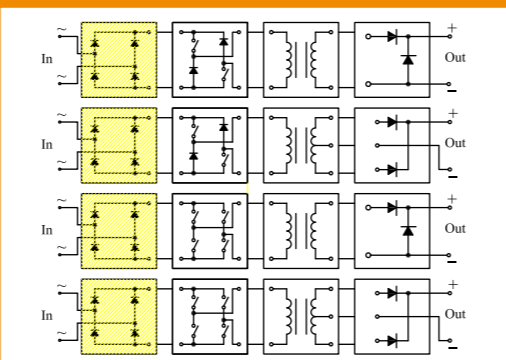
	POWER CONNECTION	CASE FIXING	DRAWING	PAGE	ORDERING CODE
LOW OUTLINE MALE POWER CONN.	MM5X10	FIX5	MRSDIS01	05	990001000007
	MM5X15	FIX5	MRSDIS02	05	990001000008
FEMALE POWER CONN.	SS5	FIX5	MRSDIS03	05	990001000006

DRAWING



MMS

STANDARD RECOVERY DIODES POWER MODULE
INSULATED BASE - SINGLE PHASE BRIDGE



ELECTRICAL PARAMETERS									
TYPE	V _{rrm} [V]	I _{out}		I _{fsm} T _j =150°C 10ms [A]	I ² t [A ² s]	V _{fm} T _j =25°C [V]	I _{rrm} T _j =150°C [mA]	R _{thj-c} [°C/W]	R _{thc-h} [°C/W]
		[A]	T _c [°C]						
MMS50.16	1600	50	111	700	2450	1,5	4	1,04	0,115
MMS55.16	1600	55	130	900	4050	1,3	4	0,53	0,096
MMS60.16	1600	60	129	1000	5000	1,3	4	0,53	0,088
MMS70.16	1600	70	125	1100	6050	1,2	4	0,53	0,115
MMS90.16	1600	90	126	1500	11250	1,1	4	0,40	0,100

PRODUCT DETAILS MMS50.16

	POWER CONNECTION	CASE FIXING	DRAWING	PAGE	ORDERING CODE	
LOW OUTLINE	MALE POWER CONN.	MM5X10	FIX5	MMSDIS06	08	960000500059
	FEMALE POWER CONN.	SS5	FIX5	MMSDIS07	08	960000500061
HIGH OUTLINE	MALE POWER CONN.	MM5X10	FIX5	MMSDIS18	09	960000500067
	FEMALE POWER CONN.	SS5	FIX5	MMSDIS19	09	960000500069
LOW OUTLINE	SOLDERABLE PIN	LL	FIX5	MMSDIS05	08	960000500057
	FASTOM CONN.	FF	FIX5	MMSDIS01	08	960000500056
HIGH OUTLINE	SOLDERABLE PIN	LL	FIX5	MMSDIS20	09	960000500064
	FASTOM CONN.	FF	FIX5	MMSDIS16	09	960000500063
LOW OUTLINE	SOLDERABLE PIN	LL	FIX5	MMSDIS02	08	960000500058
	SOLDERABLE PIN	LL	FIX5	MMSDIS21	09	960000500066
HIGH OUTLINE	SOLDERABLE PIN	LL	FIX5	MMSDIS22	09	960000500068
	SOLDERABLE PIN	LL	FIX5	MMSDIS03	08	960000500060
HIGH OUTLINE	SOLDERABLE PIN	LL	FIX5	MMSDIS04	08	960000500062
	SOLDERABLE PIN	LL	FIX5	MMSDIS05	08	960000500057

PRODUCT DETAILS MMS55.16

	POWER CONNECTION	CASE FIXING	DRAWING	PAGE	ORDERING CODE	
HIGH OUTLINE	MALE POWER CONN.	MM5X10	FIX5	MMSDIS12	08	960000550008
HIGH OUTLINE	FEMALE POWER CONN.	SS5	FIX5	MMSDIS13	08	960000550009

PRODUCT DETAILS MMS60.16

	POWER CONNECTION	CASE FIXING	DRAWING	PAGE	ORDERING CODE	
HIGH OUTLINE	MALE POWER CONN.	MM5X10	FIX5	MMSDIS14	08	960000600008
HIGH OUTLINE	FEMALE POWER CONN.	SS5	FIX5	MMSDIS15	08	960000600009

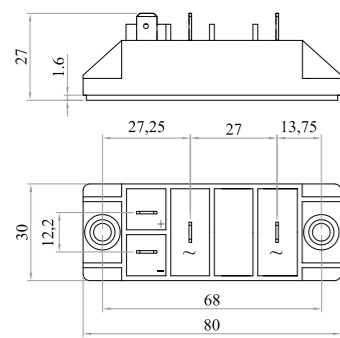
PRODUCT DETAILS MMS70.16

	POWER CONNECTION	CASE FIXING	DRAWING	PAGE	ORDERING CODE	
LOW OUTLINE	MALE POWER CONN.	MM5X10	FIX5	MMSDIS06	08	960000700032
	MALE POWER CONN.	MM5X10	FIX5	MMSDIS21	09	960000700036
LOW OUTLINE	FEMALE POWER CONN.	SS5	FIX5	MMSDIS07	08	960000700034
	FEMALE POWER CONN.	SS5	FIX5	MMSDIS22	09	960000700038
HIGH OUTLINE	MALE POWER CONN.	MM5X10	FIX5	MMSDIS03	08	960000700033
	MALE POWER CONN.	MM5X10	FIX5	MMSDIS18	09	960000700037
HIGH OUTLINE	FEMALE POWER CONN.	SS5	FIX5	MMSDIS04	08	960000700035
	FEMALE POWER CONN.	SS5	FIX5	MMSDIS19	09	960000700039

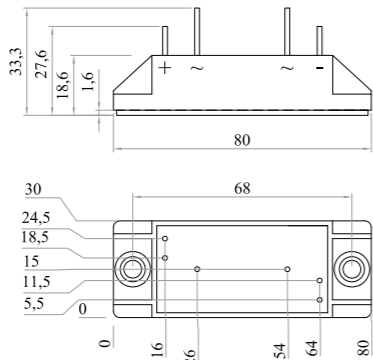
PRODUCT DETAILS MMS90.16

	POWER CONNECTION	CASE FIXING	DRAWING	PAGE	ORDERING CODE	
LOW OUTLINE	MALE POWER CONN.	MM5X10	FIX5	MMSDIS10	08	960000900032
	MALE POWER CONN.	MM5X10	FIX5	MMSDIS29	09	960000900036
LOW OUTLINE	FEMALE POWER CONN.	SS5	FIX5	MMSDIS11	08	960000900034
	FEMALE POWER CONN.	SS5	FIX5	MMSDIS30	09	960000900038
HIGH OUTLINE	MALE POWER CONN.	MM5X10	FIX5	MMSDIS08	08	960000900033
	MALE POWER CONN.	MM5X10	FIX5	MMSDIS27	09	960000900037
HIGH OUTLINE	FEMALE POWER CONN.	SS5	FIX5	MMSDIS09	08	960000900035
	FEMALE POWER CONN.	SS5	FIX5	MMSDIS28	09	960000900039

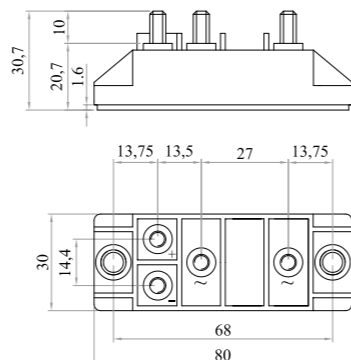
DRAWING



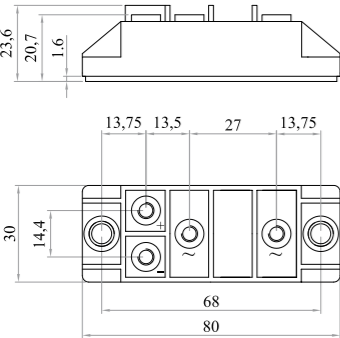
MMSDI01



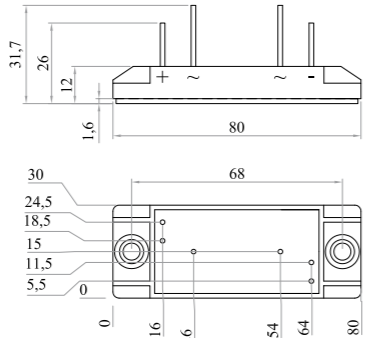
MMSDI02



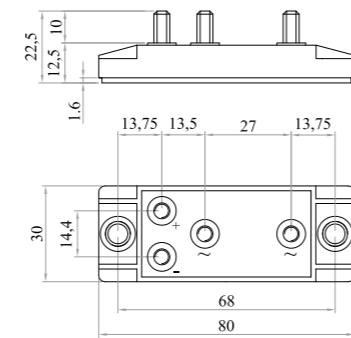
MMSDI03



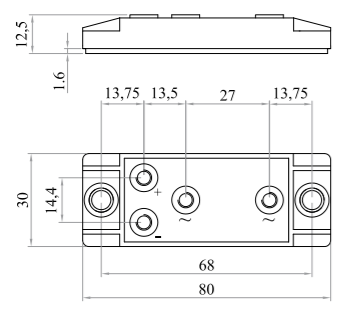
MMSDI04



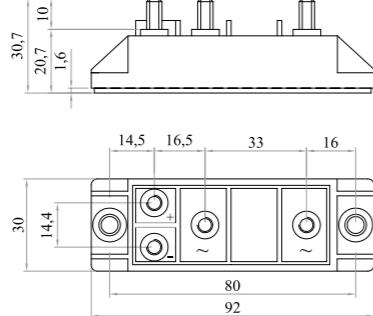
MMSDI05



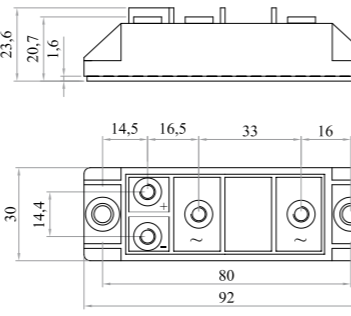
MMSDI06



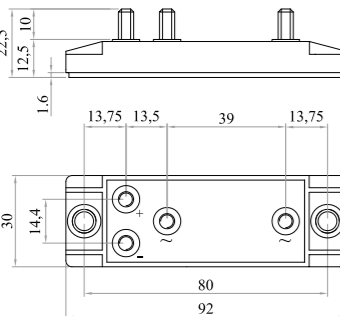
MMSDI07



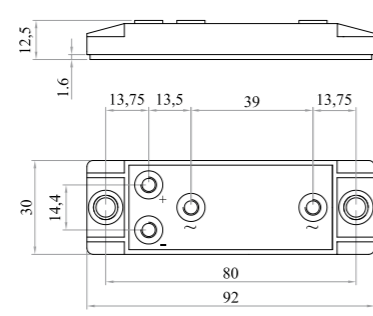
MMSDI08



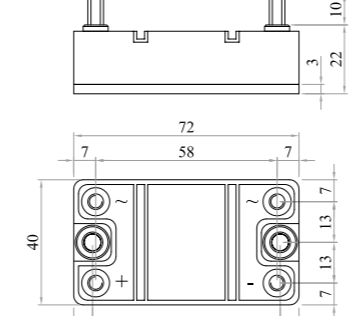
MMSDI09



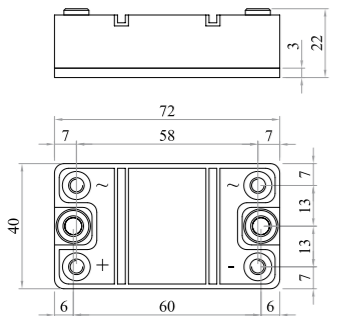
MMSDI10



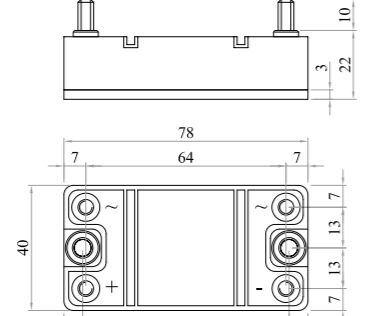
MMSDI11



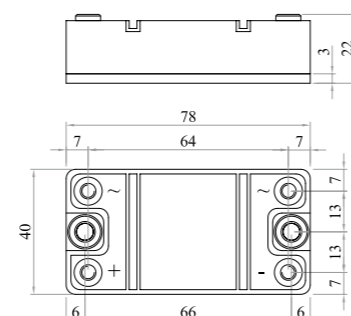
MMSDI12



MMSDI13

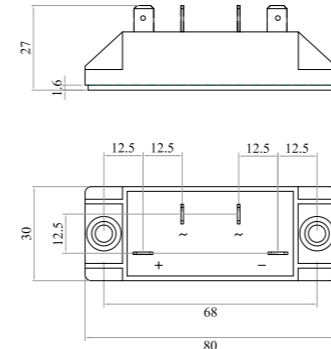


MMSDI14

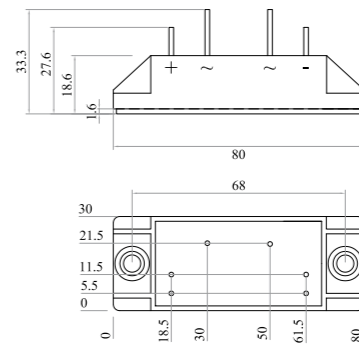


MMSDI15

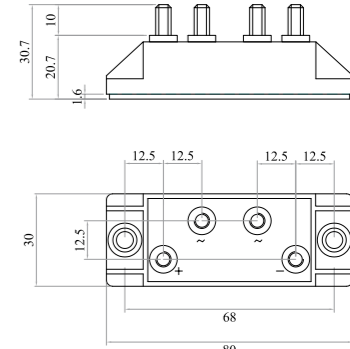
DRAWING



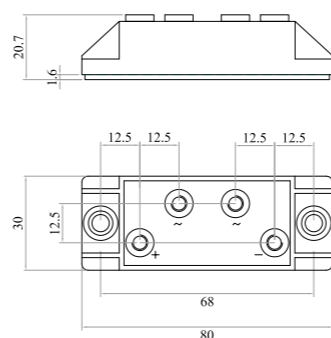
MMSDI16



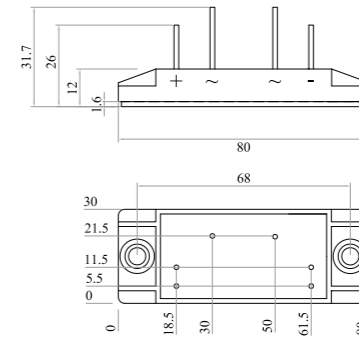
MMSDI17



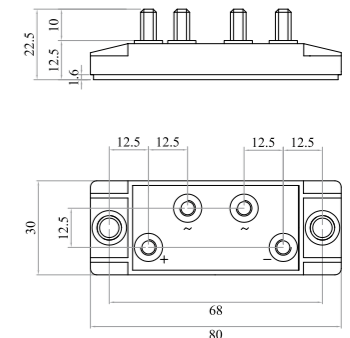
MMSDI18



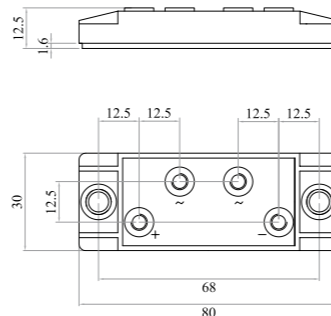
MMSDI19



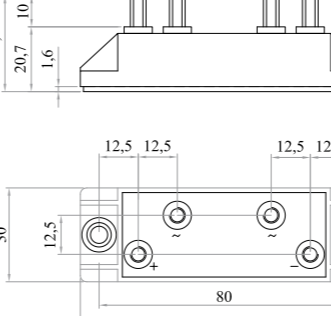
MMSDI20



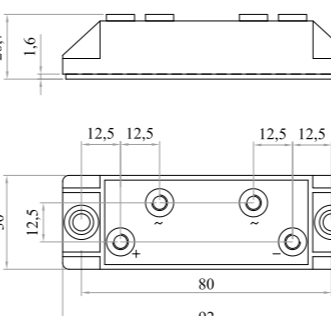
MMSDI21



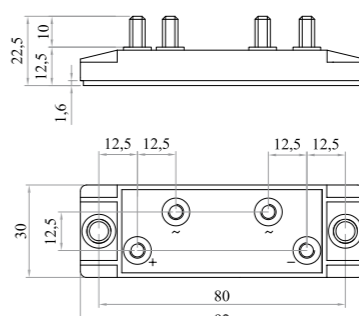
MMSDI22



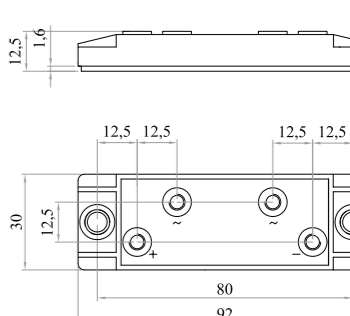
MMSDI27



MMSDI28



MMSDI29

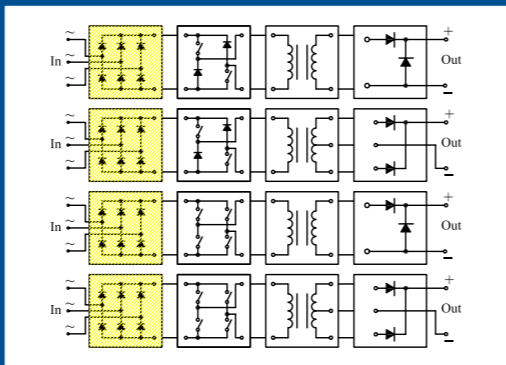


MMSDI30



MTS

STANDARD RECOVERY DIODES POWER MODULE
INSULATED BASE - THREE PHASE BRIDGE



ELECTRICAL PARAMETERS									
TYPE	V _{rrm} [V]	I _{out}		I _{fsm} T _j =150°C 10ms [A]	I ² t [A ² s]	V _{fm} T _j =25°C [V]	I _{rrm} T _j =150°C [mA]	R _{thj-c} [°C/W]	R _{thc-h} [°C/W]
		[A]	T _c [°C]						
MTS50.16	1600	50	126	700	2450	1,7	4	1,04	0,100
MTS70.16	1600	70	112	700	2450	1,7	4	1,04	0,100
MTS90.16	1600	90	128	1100	6050	1,2	4	0,53	0,100
MTS100.16	1600	100	125	1200	7200	1,2	4	0,52	0,085
MTS105.16	1600	105	124	1200	7200	1,2	4	0,52	0,079
MTS110.16	1600	110	122	1200	7200	1,2	4	0,52	0,076
MTS130.16	1600	130	128	1500	11250	1,25	5	0,38	0,070
MTS150.16	1600	150	124	1800	16200	1,3	5	0,36	0,054
MTS180.16	1600	180	125	2200	24200	1,35	7	0,28	0,050

PRODUCT DETAILS MTS50.16						
	POWER CONNECTION	CASE FIXING	DRAWING	PAGE	ORDERING CODE	
LOW OUTLINE	MALE POWER CONN.	MM5X10	FIX5	MTSDIS06	14	970000500031
	FEMALE POWER CONN.	SS5	FIX5	MTSDIS07	14	970000500033
	SOLDERABLE PIN	LL	FIX5	MTSDIS05	14	970000500029
	FASTOM CONN.	FF	FIX5	MTSDIS01	14	970000500028
HIGH OUTLINE	MALE POWER CONN.	MM5X10	FIX5	MTSDIS03	14	970000500032
	FEMALE POWER CONN.	SS5	FIX5	MTSDIS04	14	970000500034
	SOLDERABLE PIN	LL	FIX5	MTSDIS02	14	970000500030

PRODUCT DETAILS MTS70.16						
	POWER CONNECTION	CASE FIXING	DRAWING	PAGE	ORDERING CODE	
LOW OUTLINE	MALE POWER CONN.	MM5X10	FIX5	MTSDIS12	14	970000700032
	MALE POWER CONN.	MM5X10	FIX5	MTSDIS28	15	970000700036
HIGH OUTLINE	FEMALE POWER CONN.	SS5	FIX5	MTSDIS13	14	970000700034
	MALE POWER CONN.	MM5X10	FIX5	MTSDIS09	14	970000700033
	MALE POWER CONN.	MM5X10	FIX5	MTSDIS26	15	970000700037
	FEMALE POWER CONN.	SS5	FIX5	MTSDIS10	14	970000700035
	FEMALE POWER CONN.	SS5	FIX5	MTSDIS29	15	970000700038
	FEMALE POWER CONN.	SS5	FIX5	MTSDIS27	15	970000700039

PRODUCT DETAILS MTS90.16						
	POWER CONNECTION	CASE FIXING	DRAWING	PAGE	ORDERING CODE	
LOW OUTLINE	MALE POWER CONN.	MM5X10	FIX5	MTSDIS12	14	970000900016
	FEMALE POWER CONN.	SS5	FIX5	MTSDIS13	14	970000900018
	SOLDERABLE PIN	LL	FIX5	MTSDIS11	14	970000900020
HIGH OUTLINE	MALE POWER CONN.	MM5X10	FIX5	MTSDIS09	14	970000900017
	FEMALE POWER CONN.	SS5	FIX5	MTSDIS10	14	970000900019
	SOLDERABLE PIN	LL	FIX5	MTSDIS08	14	970000900021

PRODUCT DETAILS MTS100.16						
	POWER CONNECTION	CASE FIXING	DRAWING	PAGE	ORDERING CODE	
HIGH OUTLINE	MALE POWER CONN.	MM5X10	FIX5	MTSDIS22	15	970001000008
	FEMALE POWER CONN.	SS5	FIX5	MTSDIS23	15	970001000009

PRODUCT DETAILS MTS105.16						
	POWER CONNECTION	CASE FIXING	DRAWING	PAGE	ORDERING CODE	
HIGH OUTLINE	MALE POWER CONN.	MM5X10	FIX5	MTSDIS24	15	970001050008
	FEMALE POWER CONN.	SS5	FIX5	MTSDIS25	15	970001050009

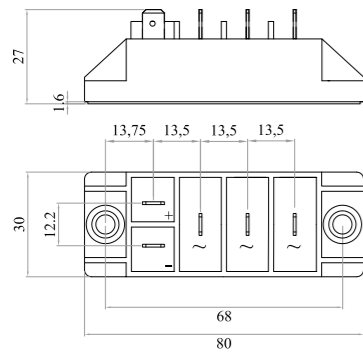
PRODUCT DETAILS MTS110.16						
	POWER CONNECTION	CASE FIXING	DRAWING	PAGE	ORDERING CODE	
LOW OUTLINE	MALE POWER CONNECTION	MM5X10	FIX5	MTSDIS17	15	970001100072
		MM5X10	FIX5	MTSDIS33	16	970001100078
		MM5X10	FIX5	MTSDIS44	16	970001100084
		MM5X15	FIX5	MTSDIS18	15	970001100074
		MM5X15	FIX5	MTSDIS34	16	970001100080
HIGH OUTLINE	MALE POWER CONNECTION	MM5X15	FIX5	MTSDIS45	16	970001100086
		MM5X10	FIX5	MTSDIS14	14	970001100073
		MM5X10	FIX5	MTSDIS30	15	970001100079
		MM5X10	FIX5	MTSDIS41	16	970001100085
		MM5X15	FIX5	MTSDIS15	14	970001100075
	FEMALE POWER CONN.	MM5X15	FIX5	MTSDIS31	16	970001100081
		MM5X15	FIX5	MTSDIS42	16	970001100087
		SS5	FIX5	MTSDIS16	15	970001100077
		SS5	FIX5	MTSDIS32	16	970001100083
		SS5	FIX5	MTSDIS43	16	970001100089

PRODUCT DETAILS MTS130.16						
	POWER CONNECTION	CASE FIXING	DRAWING	PAGE	ORDERING CODE	
HIGH OUTLINE	MALE POWER CONN.	MM6X10	FIX5	MTSDIS35	16	970001300049
		MM6X10	FIX5	MTSDIS46	17	970001300055
		MM6X10	FIX5	MTSDIS36	16	970001300051
		MM6X15	FIX5	MTSDIS47	17	970001300057
	FEMALE POWER CONN.	SS6	FIX5	MTSDIS37	16	970001300053
		SS6	FIX5	MTSDIS48	17	970001300059

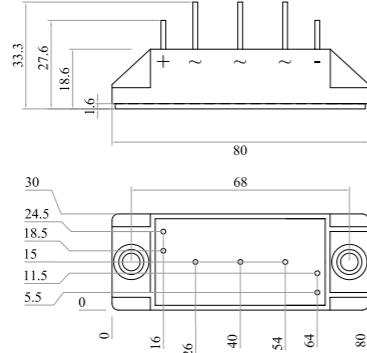
PRODUCT DETAILS MTS150.16						
	POWER CONNECTION	CASE FIXING	DRAWING	PAGE	ORDERING CODE	
HIGH OUTLINE	MALE POWER CONN.	MM6X10	FIX5	MTSDIS38	16	970001500012
		MM6X10	FIX5	MTSDIS39	16	970001500013
	FEMALE POWER CONN.	SS6	FIX5	MTSDIS40	16	970001500014

PRODUCT DETAILS MTS180.16						
	POWER CONNECTION	CASE FIXING	DRAWING	PAGE	ORDERING CODE	
HIGH OUTLINE	MALE POWER CONN.	MM6X10	FIX5	MTSDIS19	15	970001800024
		MM6X10	FIX5	MTSDIS49	17	970001800027
		MM6X10	FIX5	MTSDIS20	15	970001800025
		MM6X15	FIX5	MTSDIS50	17	970001800028
	FEMALE POWER CONN.	SS6	FIX5	MTSDIS21	15	970001800026
		SS6	FIX5	MTSDIS51	17	970001800029

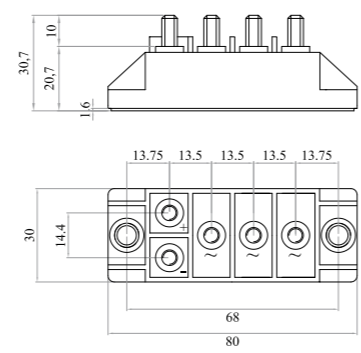
DRAWING



MTSDIS01

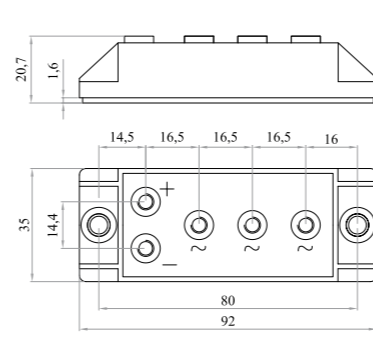


MTSDIS02

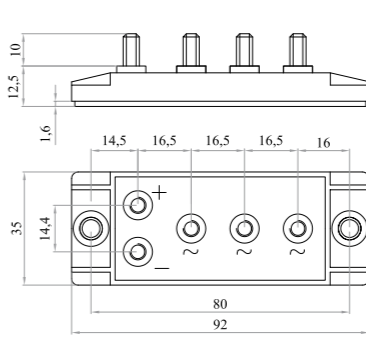


MTSDIS03

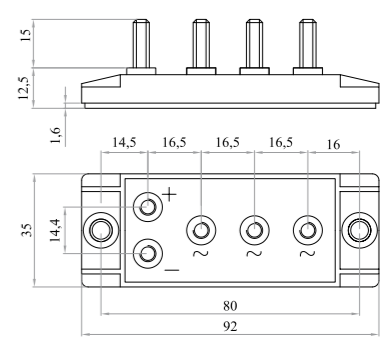
DRAWING



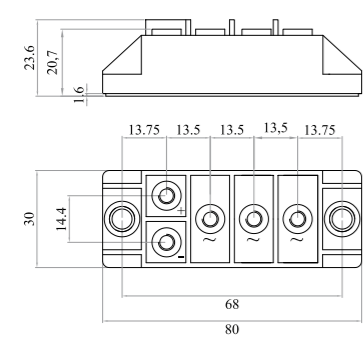
MTSDIS16



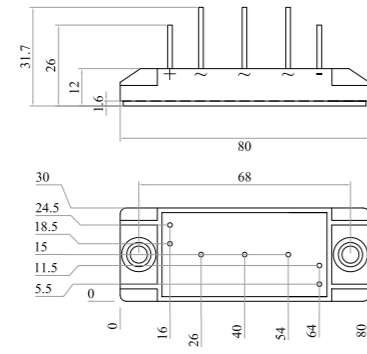
MTSDIS17



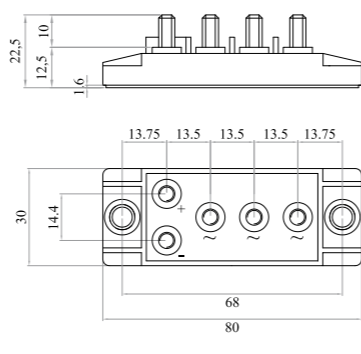
MTSDIS18



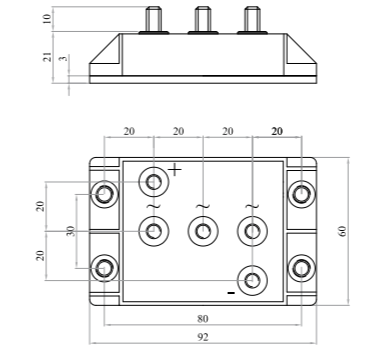
MTSDIS04



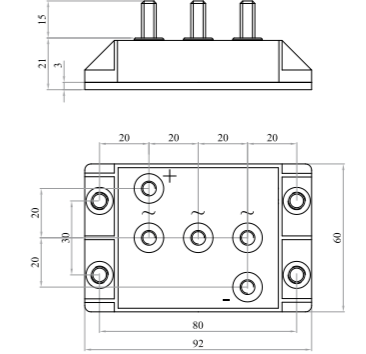
MTSDIS05



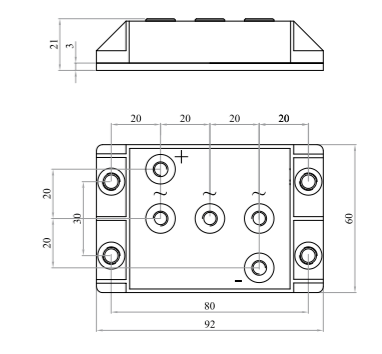
MTSDIS06



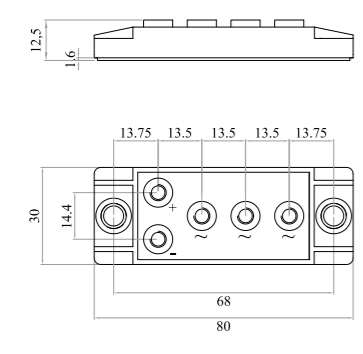
MTSDIS19



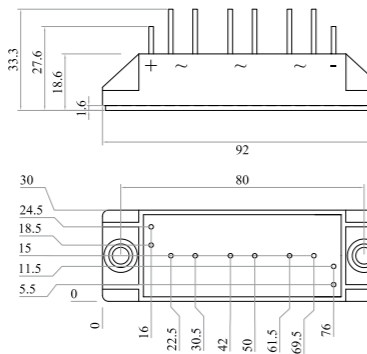
MTSDIS20



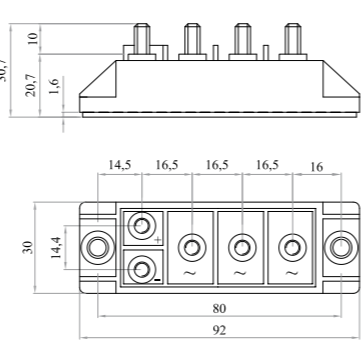
MTSDIS21



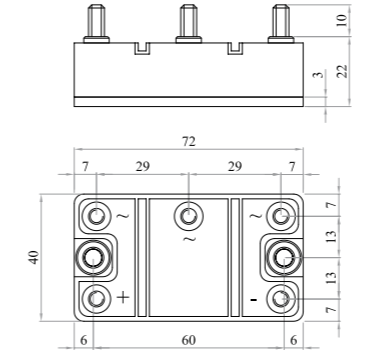
MTSDIS07



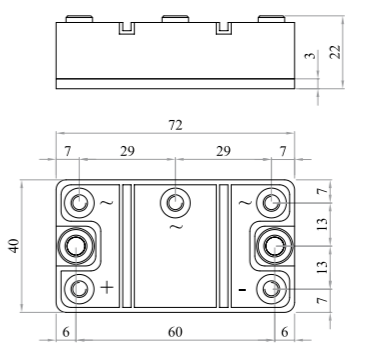
MTSDIS08



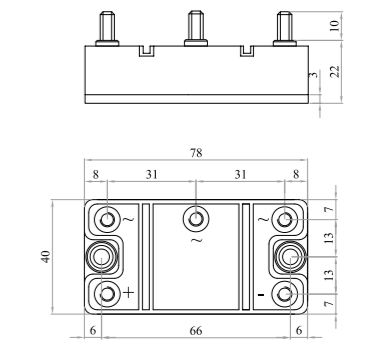
MTSDIS09



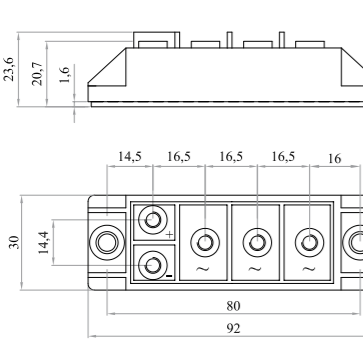
MTSDIS22



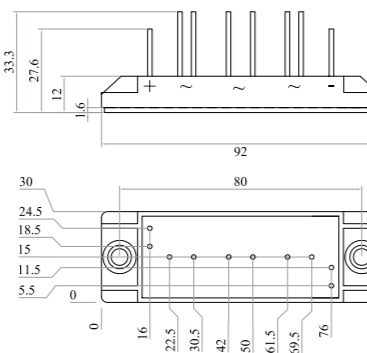
MTSDIS23



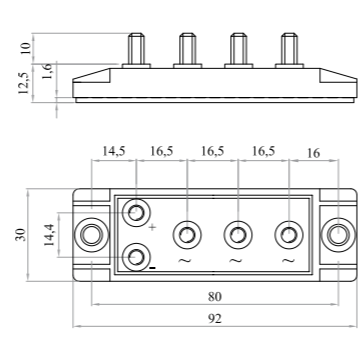
MTSDIS24



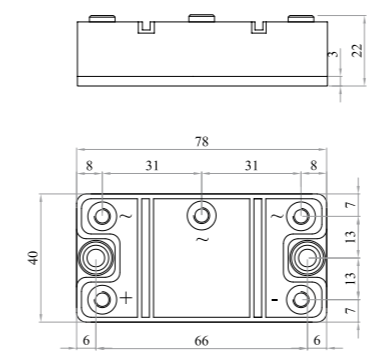
MTSDIS10



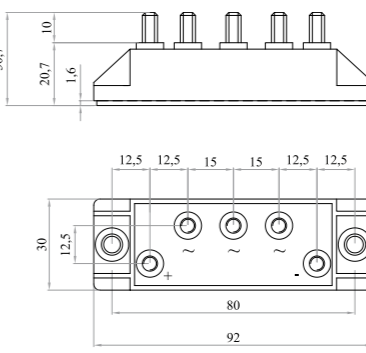
MTSDIS11



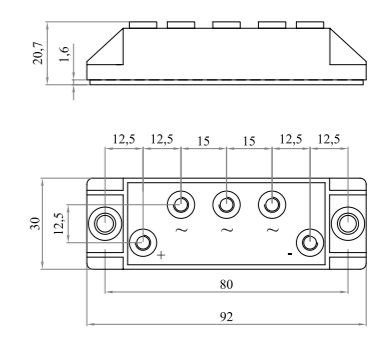
MTSDIS12



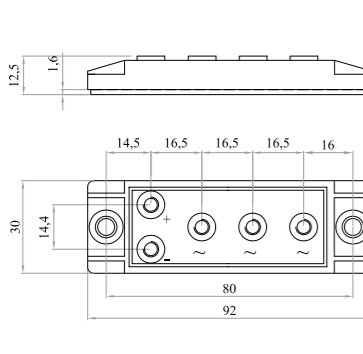
MTSDIS25



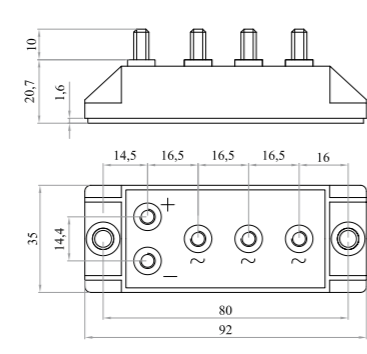
MTSDIS26



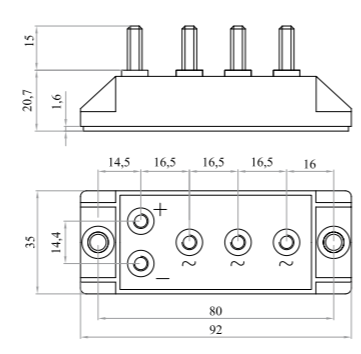
MTSDIS27



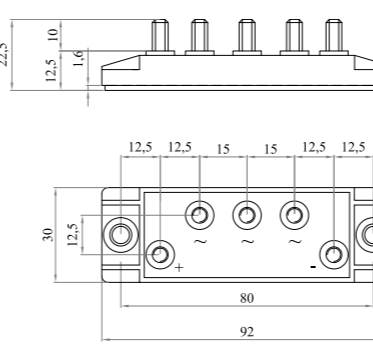
MTSDIS13



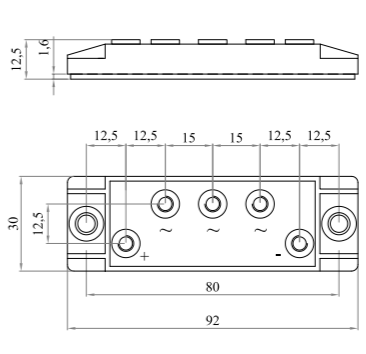
MTSDIS14



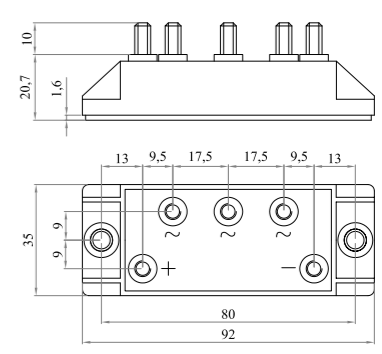
MTSDIS15



MTSDIS28

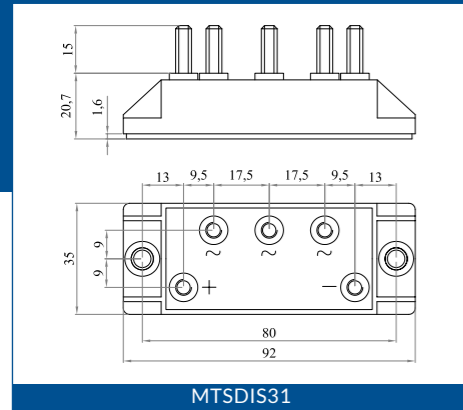


MTSDIS29

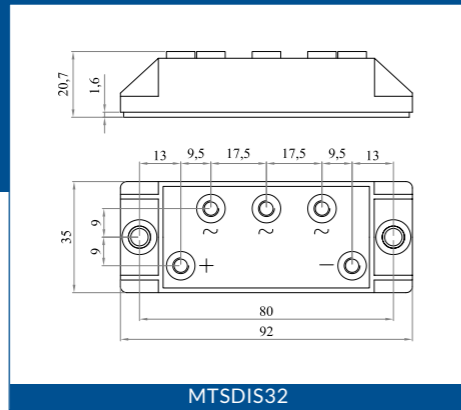


MTSDIS30

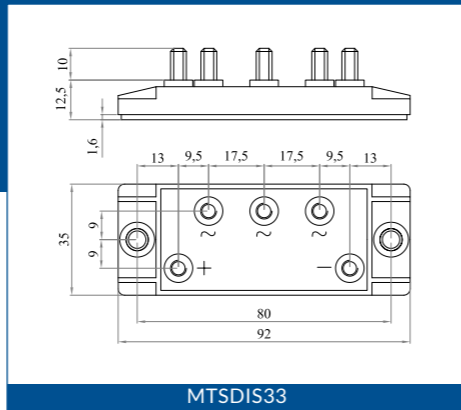
DRAWING



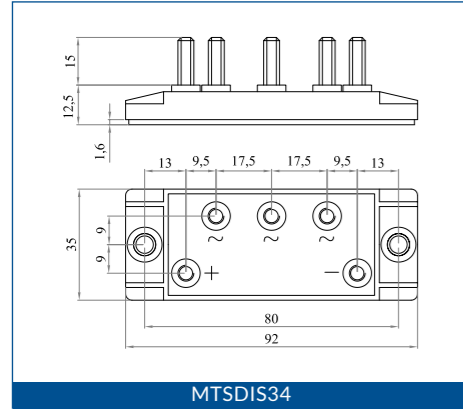
MTSDIS31



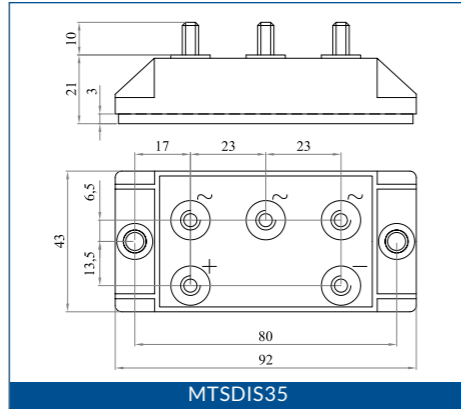
MTSDIS32



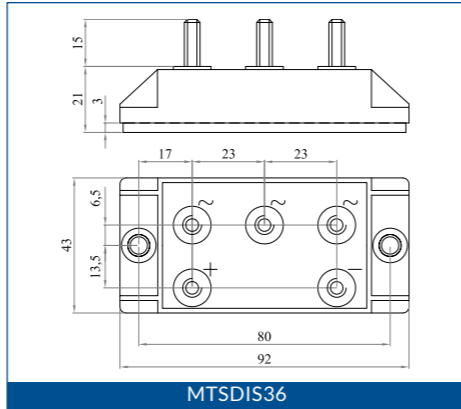
MTSDIS33



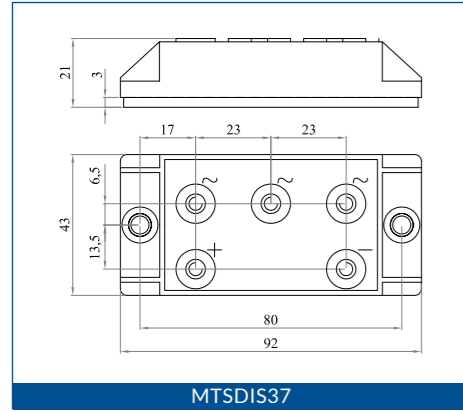
MTSDIS34



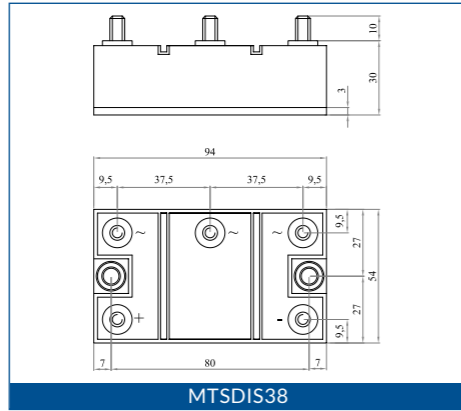
MTSDIS35



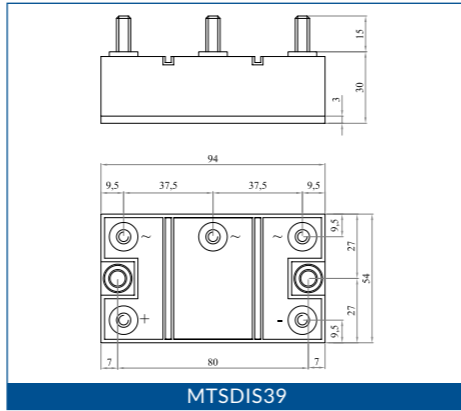
MTSDIS36



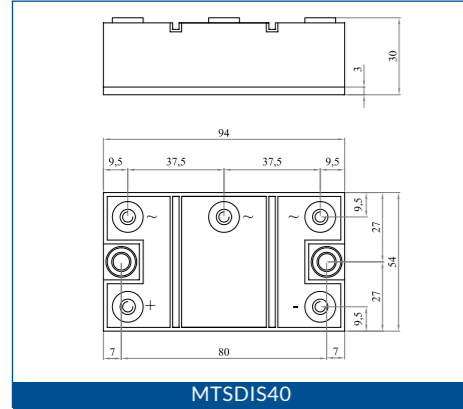
MTSDIS37



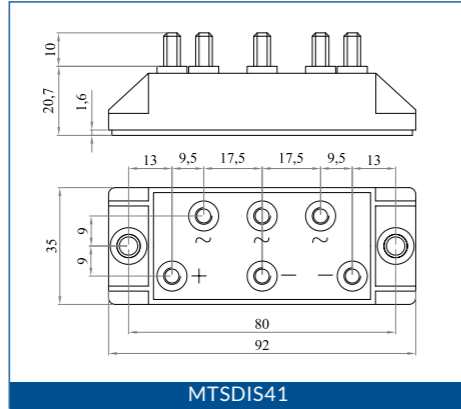
MTSDIS38



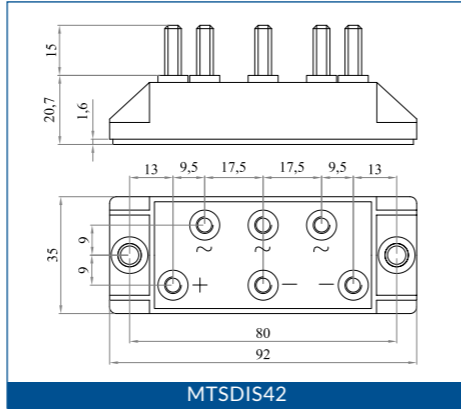
MTSDIS39



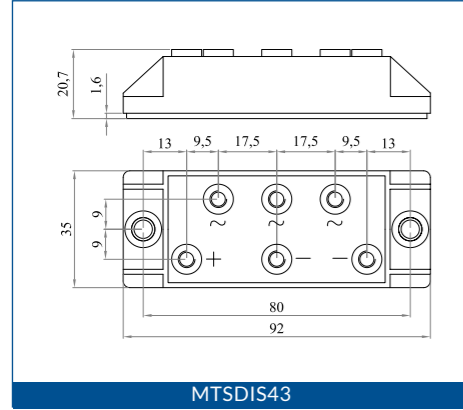
MTSDIS40



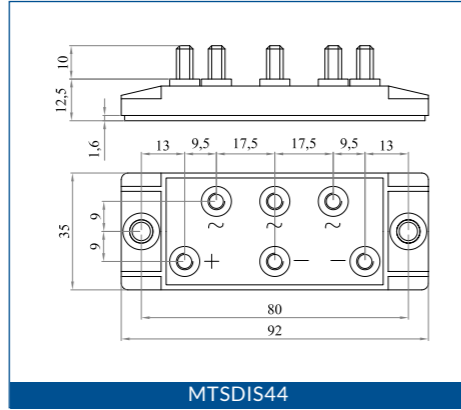
MTSDIS41



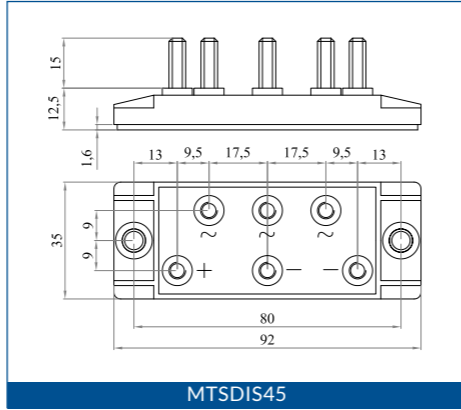
MTSDIS42



MTSDIS43

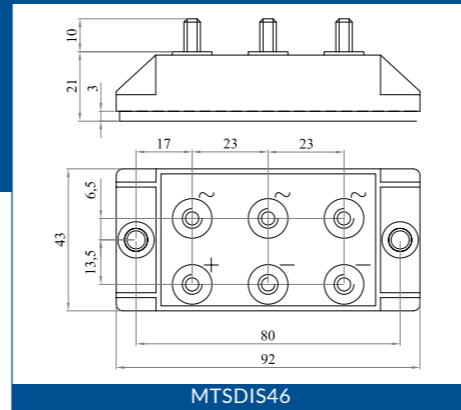


MTSDIS44

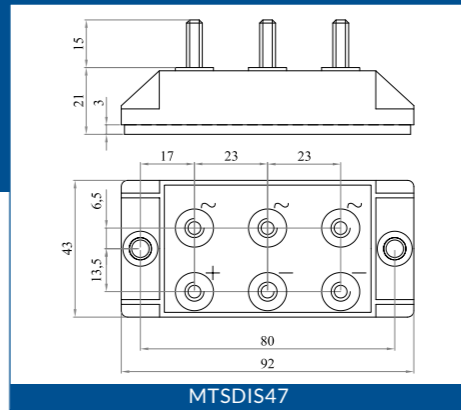


MTSDIS45

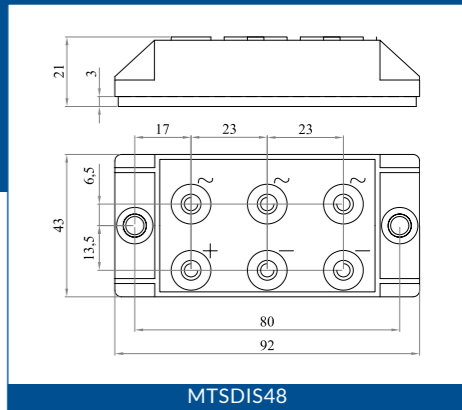
DRAWING



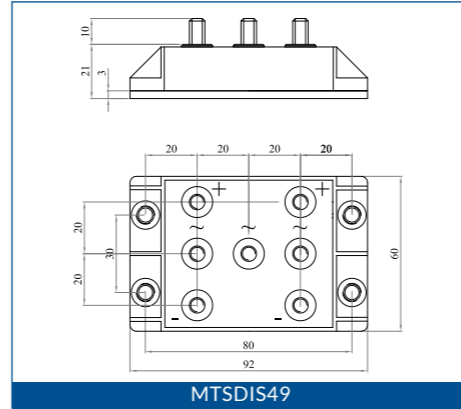
MTSDIS46



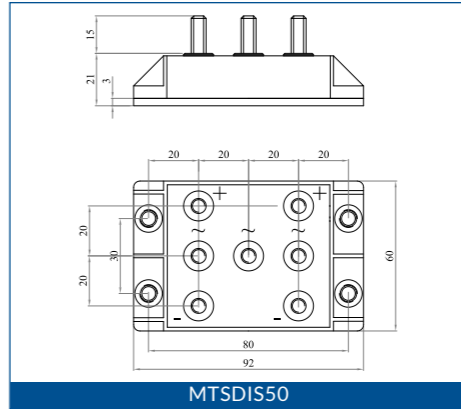
MTSDIS47



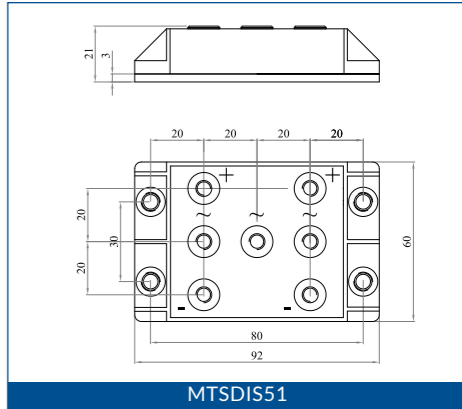
MTSDIS48



MTSDIS49



MTSDIS50

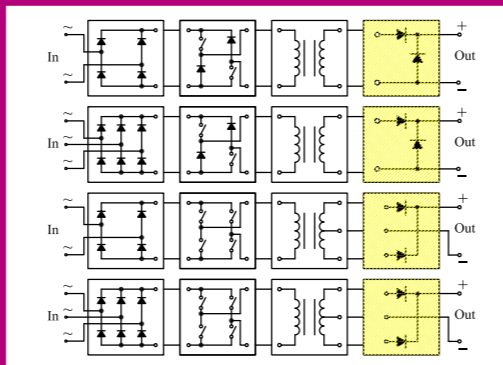


MTSDIS51



MKK

FAST RECOVERY DIODES POWER MODULES
NOT INSULATED BASE – COMMON CATOD



ELECTRICAL PARAMETERS										
TYPE	V _{rrm} [V]	I _{out}		I _{fsm} T _j =25°C 10ms [A]	I ² t [A ² s]	V _{fm} T _j =150°C [V]	I _{rrm} T _j =150°C [mA]	T _{rr} [ns]	R _{thj-c} [°C/W]	R _{thc-h} [°C/W]
		[A]	T _c [°C]							
MKK300.04	400	300	86	1500	11250	1,17	4	175	0,38	0,150
MKK400.04	400	400	104	2300	26450	1,10	4	225	0,20	0,150
MKK600.04	400	600	84	2800	39200	1,18	4	200	0,19	0,150

PRODUCT DETAILS MKK300.04

	POWER CONNECTION	CASE FIXING	DRAWING	PAGE	ORDERING CODE	
LOW OUTLINE	MALE POWER CONNECTION	MM5X10	FIX5	MKKDIS07	20	940003000045
		MM5X10	FIX5	MKKDIS17	21	940003000046
		MM5X10	FIX5	MKKDIS27	21	940003000047
		MM5X10	FIX5	MKKDIS37	22	940003000048
		MM5X15	FIX5	MKKDIS08	20	940003000053
		MM5X15	FIX5	MKKDIS18	21	940003000054
		MM5X15	FIX5	MKKDIS28	21	940003000055
		MM5X15	FIX5	MKKDIS38	22	940003000056
		MM6X10	FIX5	MKKDIS09	20	940003000061
		MM6X10	FIX5	MKKDIS19	21	940003000062
		MM6X10	FIX5	MKKDIS29	21	940003000063
		MM6X10	FIX5	MKKDIS39	22	940003000064
		MM6X15	FIX5	MKKDIS10	20	940003000069
		MM6X15	FIX5	MKKDIS20	21	940003000070
		MM6X15	FIX5	MKKDIS30	21	940003000071
		MM6X15	FIX5	MKKDIS40	22	940003000072
HIGH OUTLINE	MALE POWER CONNECTION	MM5X10	FIX5	MKKDIS01	20	940003000041
		MM5X10	FIX5	MKKDIS11	20	940003000042
		MM5X10	FIX5	MKKDIS21	21	940003000043
		MM5X10	FIX5	MKKDIS31	22	940003000044
		MM5X15	FIX5	MKKDIS02	20	940003000049
		MM5X15	FIX5	MKKDIS12	20	940003000050
		MM5X15	FIX5	MKKDIS22	21	940003000051
		MM5X15	FIX5	MKKDIS32	22	940003000052
		MM6X10	FIX5	MKKDIS03	20	940003000057
		MM6X10	FIX5	MKKDIS13	20	940003000058
		MM6X10	FIX5	MKKDIS23	21	940003000059
		MM6X10	FIX5	MKKDIS33	22	940003000060
		MM6X15	FIX5	MKKDIS04	20	940003000065
		MM6X15	FIX5	MKKDIS14	20	940003000066
		MM6X15	FIX5	MKKDIS24	21	940003000067
		MM6X15	FIX5	MKKDIS34	22	940003000068
HIGH OUTLINE	FEMALE POWER CONNECTION	SS5	FIX5	MKKDIS05	20	940003000073
		SS5	FIX5	MKKDIS15	20	940003000074
		SS5	FIX5	MKKDIS25	21	940003000075
		SS5	FIX5	MKKDIS35	22	940003000076
		SS6	FIX5	MKKDIS06	20	940003000077
		SS6	FIX5	MKKDIS16	21	940003000078
		SS6	FIX5	MKKDIS26	21	940003000079
		SS6	FIX5	MKKDIS36	22	940003000080
		SS6	FIX6	MKKDIS41	22	940003000081

PRODUCT DETAILS MKK400.04

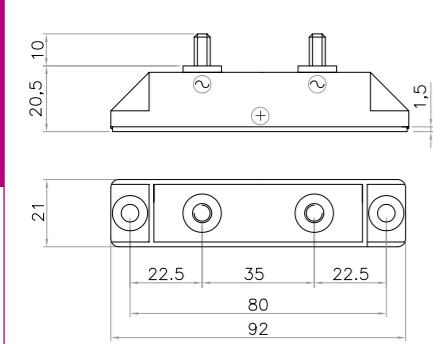
	POWER CONNECTION	CASE FIXING	DRAWING	PAGE	ORDERING CODE	
LOW OUTLINE	MALE POWER CONNECTION	MM5X10	FIX5	MKKDIS07	20	940004000022
		MM5X10	FIX5	MKKDIS17	21	940004000023
		MM5X15	FIX5	MKKDIS08	20	940004000026
		MM5X15	FIX5	MKKDIS18	21	940004000027
		MM6X10	FIX5	MKKDIS09	20	940004000030
		MM6X10	FIX5	MKKDIS19	21	940004000031
HIGH OUTLINE	MALE POWER CONNECTION	MM5X10	FIX5	MKKDIS10	20	940004000034
		MM6X15	FIX5	MKKDIS20	21	940004000035
		MM5X10	FIX5	MKKDIS01	20	940004000020
		MM5X10	FIX5	MKKDIS11	20	940004000021
		MM5X15	FIX5	MKKDIS02	20	940004000024
		MM5X15	FIX5	MKKDIS12	20	940004000025
HIGH OUTLINE	FEMALE POWER CONN.	MM6X10	FIX5	MKKDIS03	20	940004000028
		MM6X10	FIX5	MKKDIS13	20	940004000029
		MM6X15	FIX5	MKKDIS04	20	940004000032
		MM6X15	FIX5	MKKDIS14	20	940004000033
		SS5	FIX5	MKKDIS05	20	940004000036
		SS5	FIX5	MKKDIS15	20	940004000037
HIGH OUTLINE	FEMALE POWER CONN.	SS6	FIX5	MKKDIS06	20	940004000038
		SS6	FIX5	MKKDIS16	21	940004000039

PRODUCT DETAILS MKK600.04

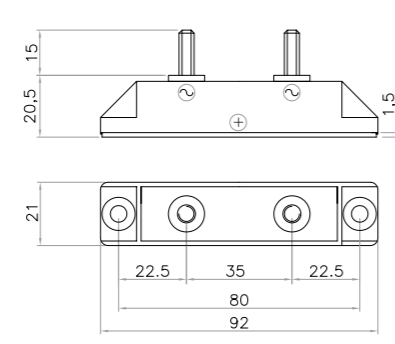
	POWER CONNECTION	CASE FIXING	DRAWING	PAGE	ORDERING CODE			
LOW OUTLINE	MALE POWER CONNECTION	MM5X10	FIX5	MKKDIS27	21	940006000022		
		MM5X10	FIX5	MKKDIS37	22	940006000023		
		MM5X15	FIX5	MKKDIS28	21	940006000026		
		MM5X15	FIX5	MKKDIS38	22	940006000027		
		MM6X10	FIX5	MKKDIS29	21	940006000030		
		MM6X10	FIX5	MKKDIS39	22	940006000031		
		MM6X15	FIX5	MKKDIS30	21	940006000034		
		MM6X15	FIX5	MKKDIS40	22	940006000035		
		HIGH OUTLINE	MALE POWER CONNECTION	MM5X10	FIX5	MKKDIS21	21	940006000020
				MM5X10	FIX5	MKKDIS31	22	940006000021
MM5X15	FIX5			MKKDIS22	21	940006000024		
MM5X15	FIX5			MKKDIS32	22	940006000025		
MM6X10	FIX5			MKKDIS23	21	940006000028		
MM6X10	FIX5			MKKDIS33	22	940006000029		
HIGH OUTLINE	FEMALE POWER CONN.	MM6X15	FIX5	MKKDIS24	21	940006000032		
		MM6X15	FIX5	MKKDIS34	22	940006000033		
		SS5	FIX5	MKKDIS25	21	940006000036		
		SS5	FIX5	MKKDIS35	22	940006000037		
		SS6	FIX5	MKKDIS26	21	940006000038		
		SS6	FIX5	MKKDIS36	22	940006000039		

• For detailed information please refer data sheets. www.scomes.com/en/products/

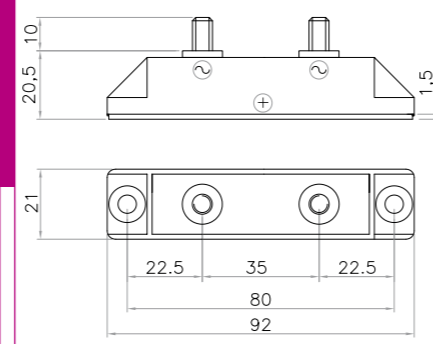
DRAWING



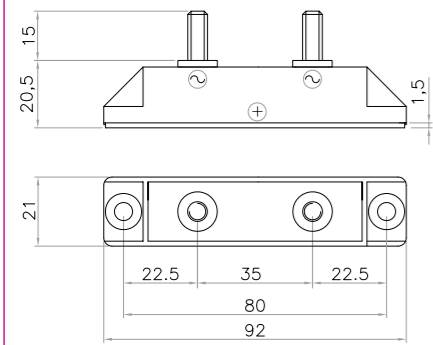
MKKDIS01



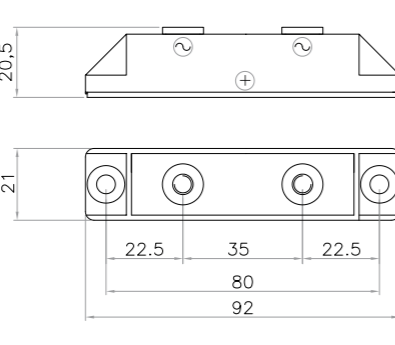
MKKDIS02



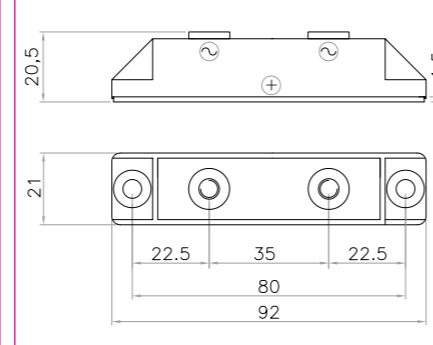
MKKDIS03



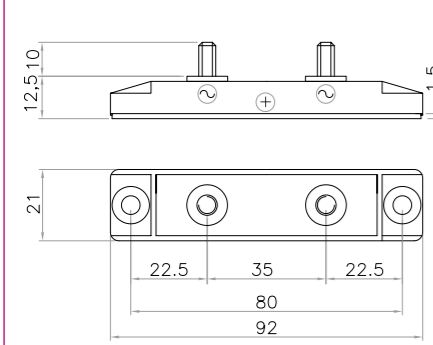
MKKDIS04



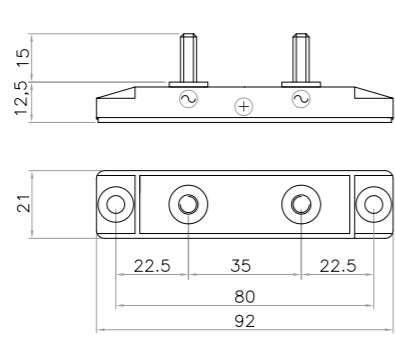
MKKDIS05



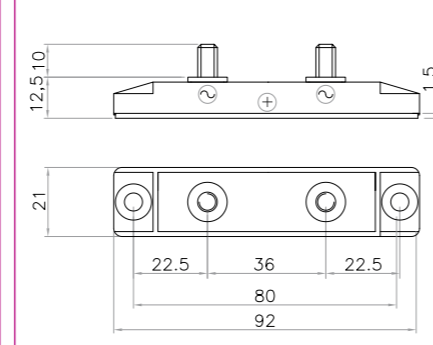
MKKDIS06



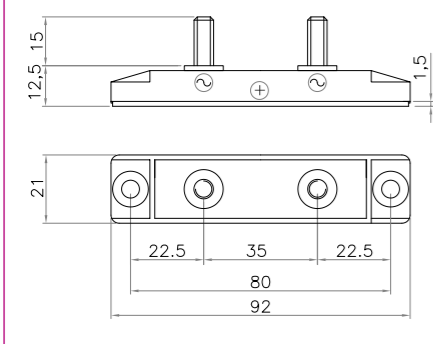
MKKDIS07



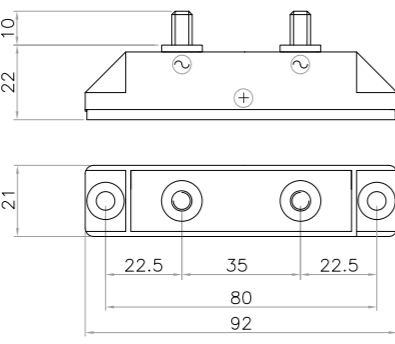
MKKDIS08



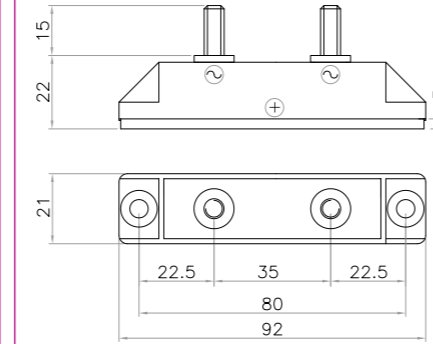
MKKDIS09



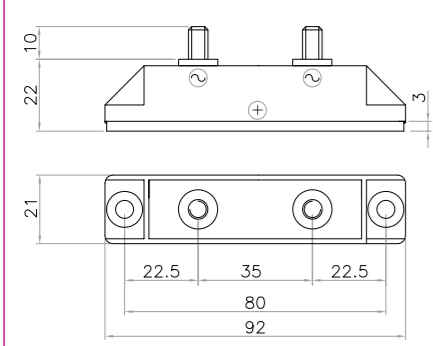
MKKDIS10



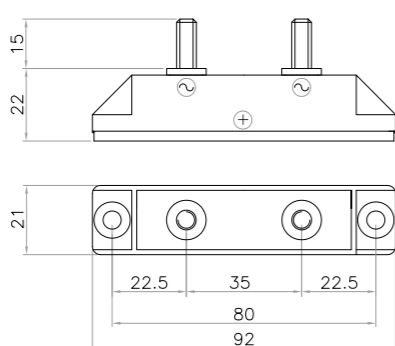
MKKDIS11



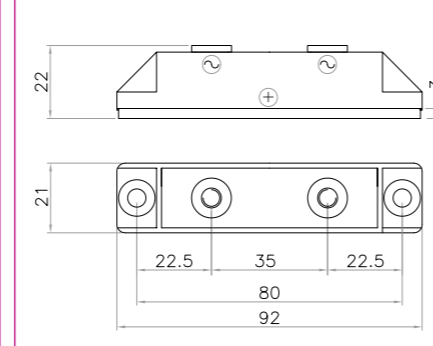
MKKDIS12



MKKDIS13

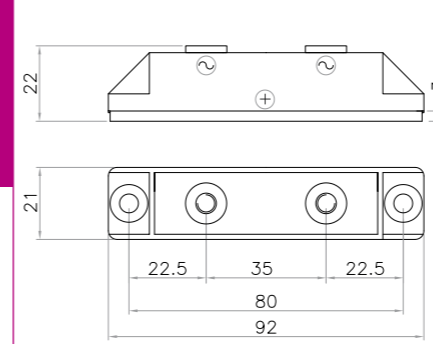


MKKDIS14

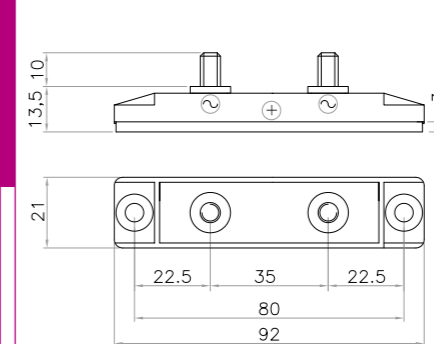


MKKDIS15

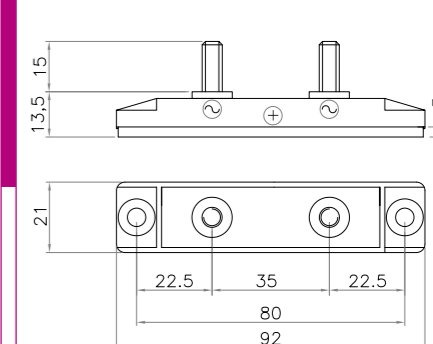
DRAWING



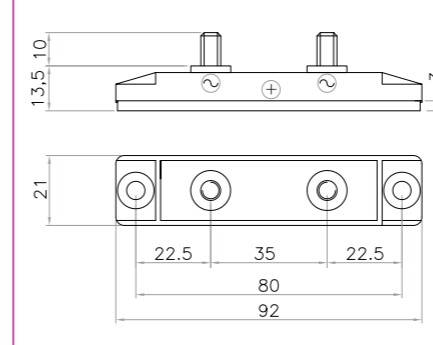
MKKDIS16



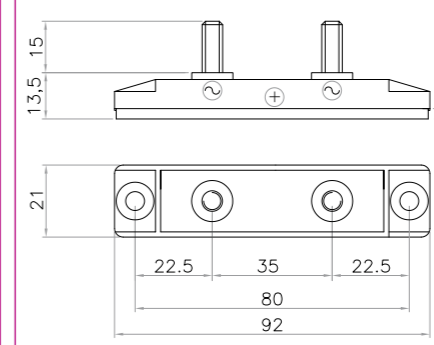
MKKDIS17



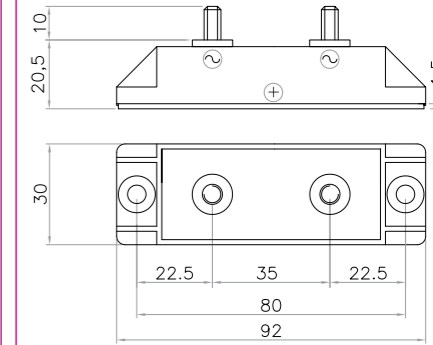
MKKDIS18



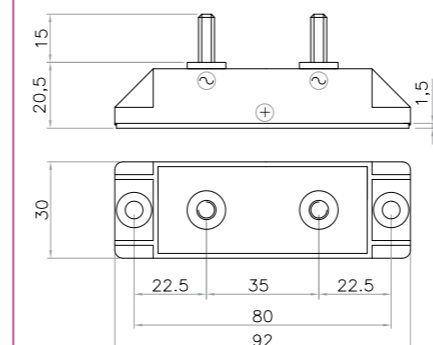
MKKDIS19



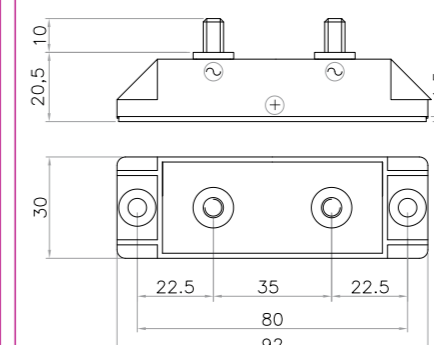
MKKDIS20



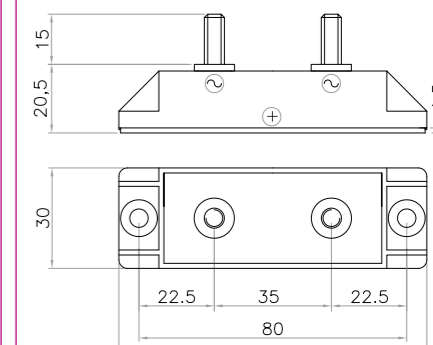
MKKDIS21



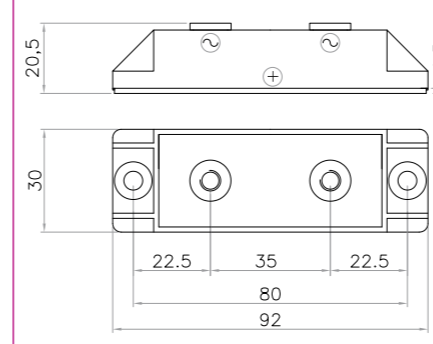
MKKDIS22



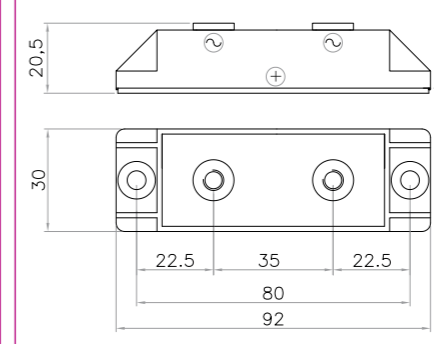
MKKDIS23



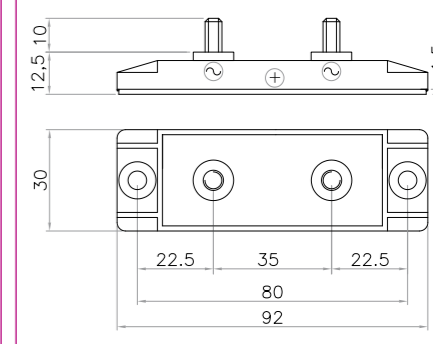
MKKDIS24



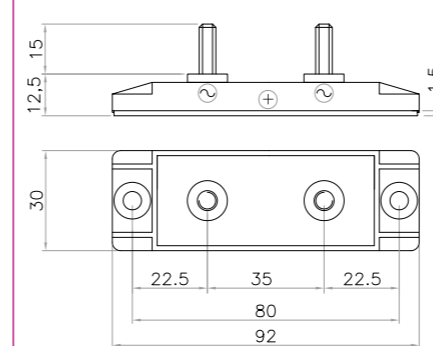
MKKDIS25



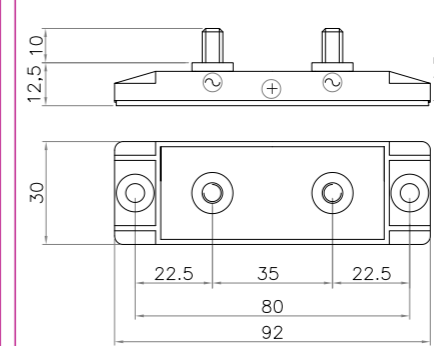
MKKDIS26



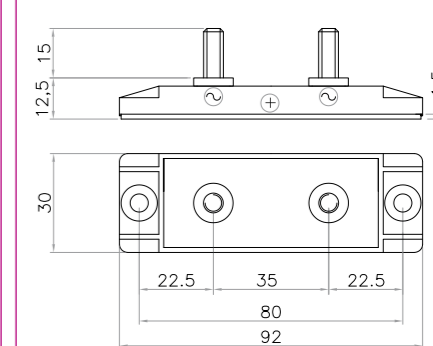
MKKDIS27



MKKDIS28

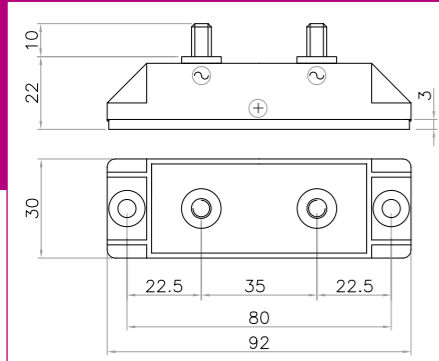


MKKDIS29

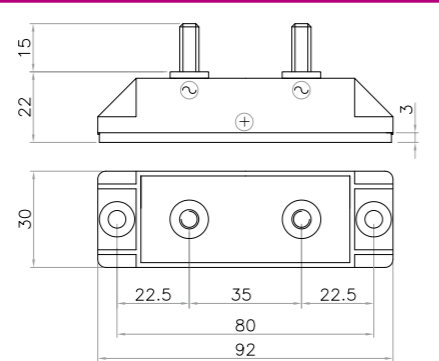


MKKDIS30

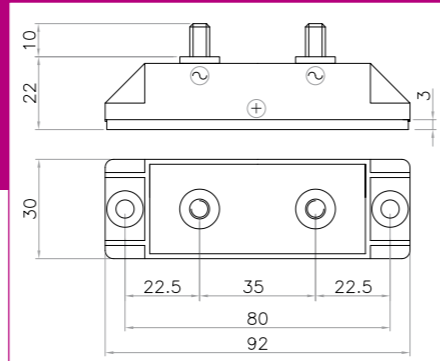
DRAWING



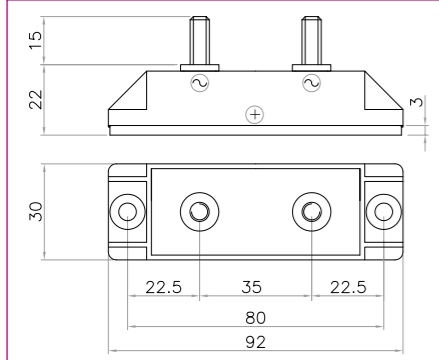
MKKDIS31



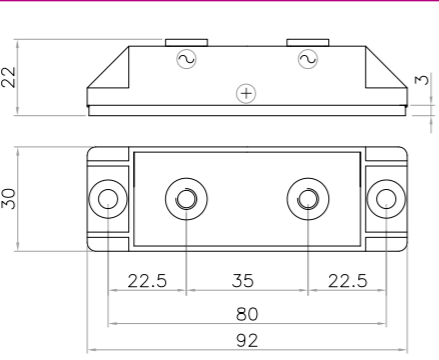
MKKDIS32



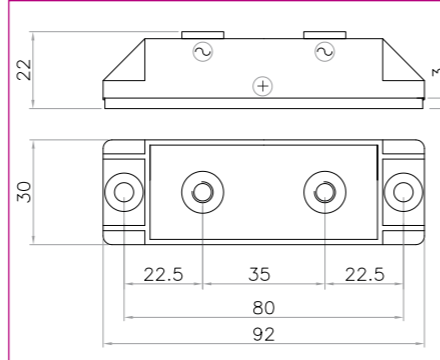
MKKDIS33



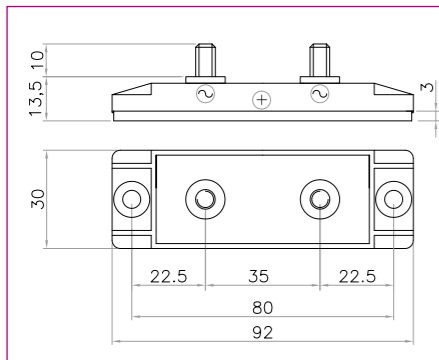
MKKDIS34



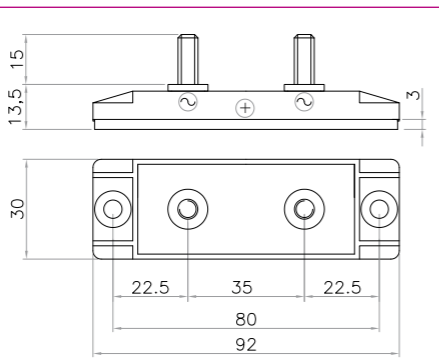
MKKDIS35



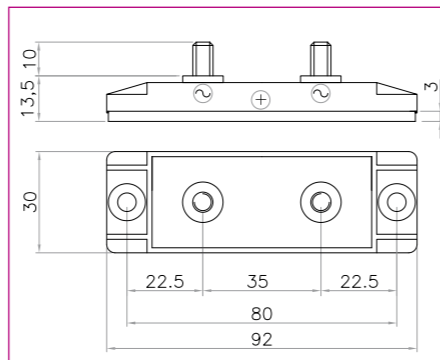
MKKDIS36



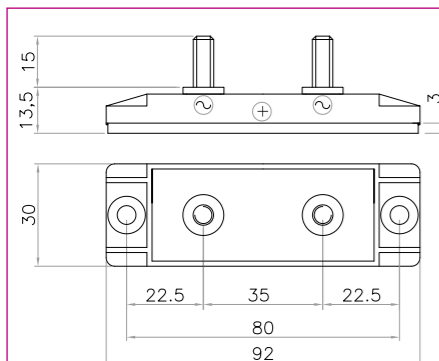
MKKDIS37



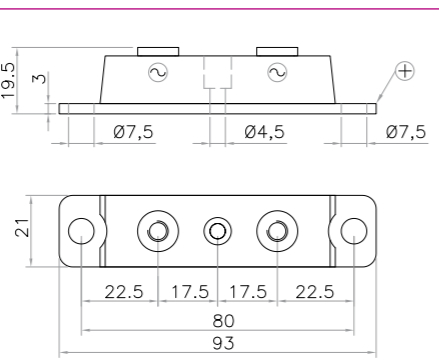
MKKDIS38



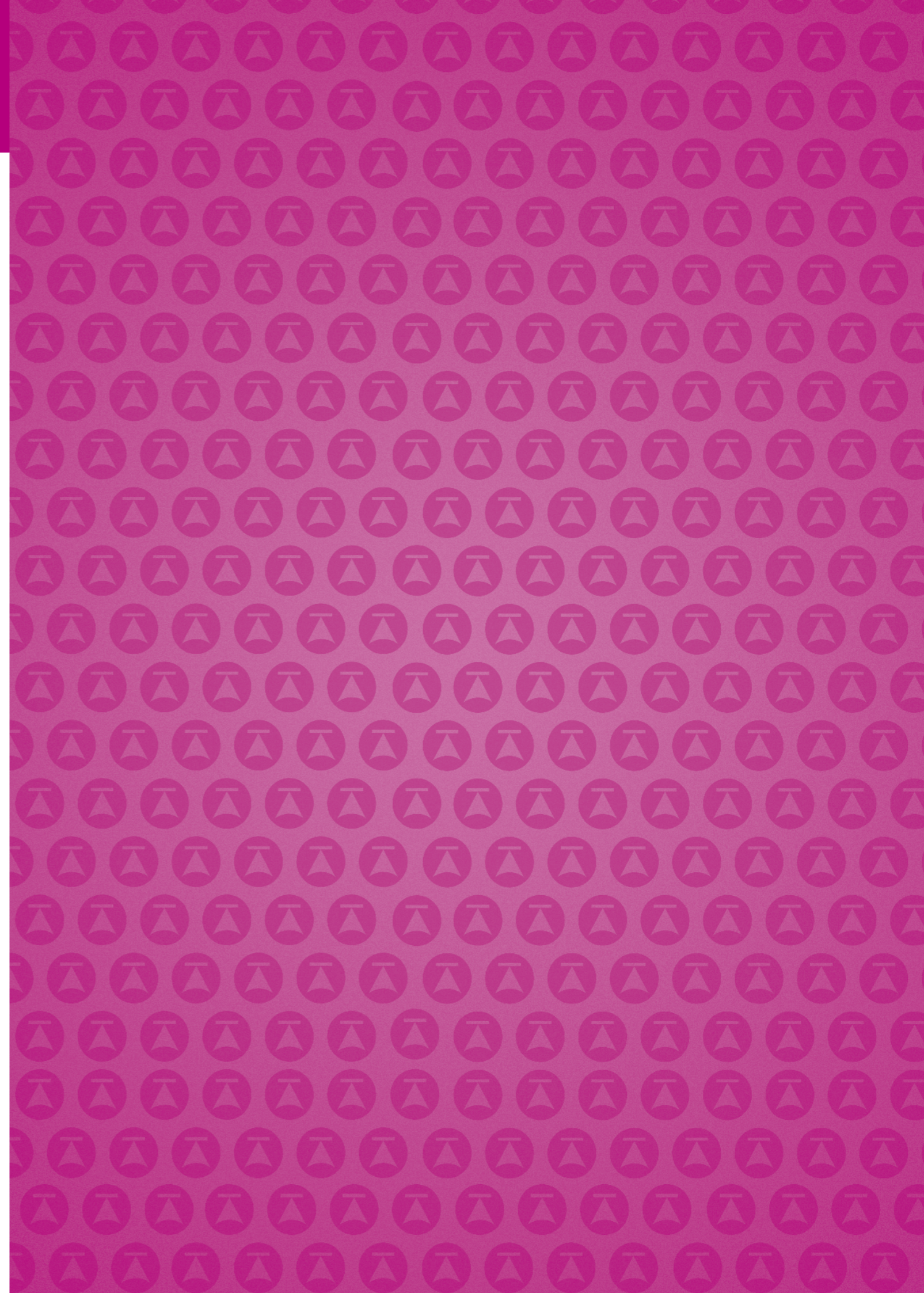
MKKDIS39



MKKDIS40

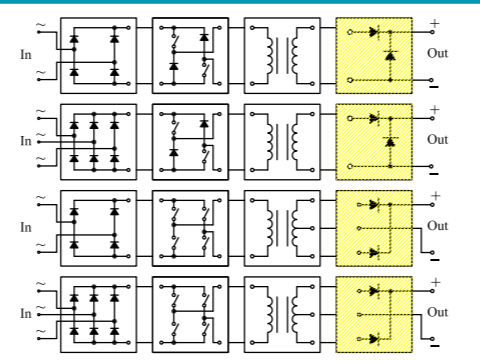


MKKDIS41



MCF

FAST RECOVERY DIODES POWER MODULES
INSULATED BASE – COMMON CATOD



ELECTRICAL PARAMETERS										
TYPE	Vrrm [V]	Iout		Ifsm Tj=25°C 10ms [A]	I²t [A²s]	Vfm Tj=150°C [V]	Irrm Tj=150°C [mA]	Trr [ns]	Rthj-c [°C/W]	Rthc-h [°C/W]
		[A]	Tc [°C]							
MCF300.04	400	300	68	1500	11250	1,17	4	175	0,48	0,100
MCF400.04	400	400	85	2700	36450	1,16	4	180	0,30	0,100
MCF500.04	400	500	65	2800	39200	1,18	4	180	0,30	0,100
MCF600.04	400	600	45	2800	39200	1,18	4	200	0,30	0,100

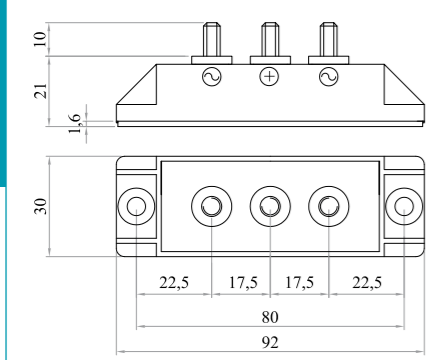
PRODUCT DETAILS MCF300.04						
	POWER CONNECTION	CASE FIXING	DRAWING	PAGE	ORDERING CODE	
LOW OUTLINE	MALE POWER CONN.	MM5X10	FIX5	MCFDIS07	26	950003000010
		MM5X15	FIX5	MCFDIS08	26	950003000012
		MM6X10	FIX5	MCFDIS09	26	950003000014
		MM6X15	FIX5	MCFDIS10	26	950003000016
HIGH OUTLINE	MALE POWER CONN.	MM5X10	FIX5	MCFDIS01	26	950003000011
		MM5X15	FIX5	MCFDIS02	26	950003000013
		MM6X10	FIX5	MCFDIS03	26	950003000015
		MM6X15	FIX5	MCFDIS04	26	950003000017
HIGH OUTLINE	FEMALE POWER CONN.	SS5	FIX5	MCFDIS05	26	950003000018
		SS6	FIX5	MCFDIS06	26	950003000019

PRODUCT DETAILS MCF400.04						
	POWER CONNECTION	CASE FIXING	DRAWING	PAGE	ORDERING CODE	
LOW OUTLINE	MALE POWER CONN.	MM5X10	FIX5	MCFDIS07	26	950004000010
		MM5X15	FIX5	MCFDIS08	26	950004000012
		MM6X10	FIX5	MCFDIS09	26	950004000014
		MM6X15	FIX5	MCFDIS10	26	950004000016
HIGH OUTLINE	MALE POWER CONN.	MM5X10	FIX5	MCFDIS01	26	950004000011
		MM5X15	FIX5	MCFDIS02	26	950004000013
		MM6X10	FIX5	MCFDIS03	26	950004000015
		MM6X15	FIX5	MCFDIS04	26	950004000017
HIGH OUTLINE	FEMALE POWER CONN.	SS5	FIX5	MCFDIS05	26	950004000018
		SS6	FIX5	MCFDIS06	26	950004000019

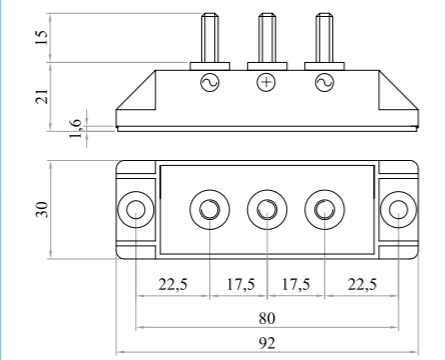
PRODUCT DETAILS MCF500.04						
	POWER CONNECTION	CASE FIXING	DRAWING	PAGE	ORDERING CODE	
LOW OUTLINE	MALE POWER CONN.	MM5X10	FIX5	MCFDIS07	26	950005000010
		MM5X15	FIX5	MCFDIS08	26	950005000012
		MM6X10	FIX5	MCFDIS09	26	950005000014
		MM6X15	FIX5	MCFDIS10	26	950005000016
HIGH OUTLINE	MALE POWER CONN.	MM5X10	FIX5	MCFDIS01	26	950005000011
		MM5X15	FIX5	MCFDIS02	26	950005000013
		MM6X10	FIX5	MCFDIS03	26	950005000015
		MM6X15	FIX5	MCFDIS04	26	950005000017
HIGH OUTLINE	FEMALE POWER CONN.	SS5	FIX5	MCFDIS05	26	950005000018
		SS6	FIX5	MCFDIS06	26	950005000019

PRODUCT DETAILS MCF600.04						
	POWER CONNECTION	CASE FIXING	DRAWING	PAGE	ORDERING CODE	
LOW OUTLINE	MALE POWER CONN.	MM5X10	FIX5	MCFDIS07	26	950006000010
		MM5X15	FIX5	MCFDIS08	26	950006000012
		MM6X10	FIX5	MCFDIS09	26	950006000014
		MM6X15	FIX5	MCFDIS10	26	950006000016
HIGH OUTLINE	MALE POWER CONN.	MM5X10	FIX5	MCFDIS01	26	950006000011
		MM5X15	FIX5	MCFDIS02	26	950006000013
		MM6X10	FIX5	MCFDIS03	26	950006000015
		MM6X15	FIX5	MCFDIS04	26	950006000017
HIGH OUTLINE	FEMALE POWER CONN.	SS5	FIX5	MCFDIS05	26	950006000018
		SS6	FIX5	MCFDIS06	26	950006000019

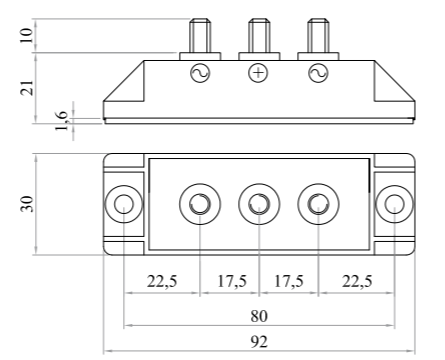
DRAWING



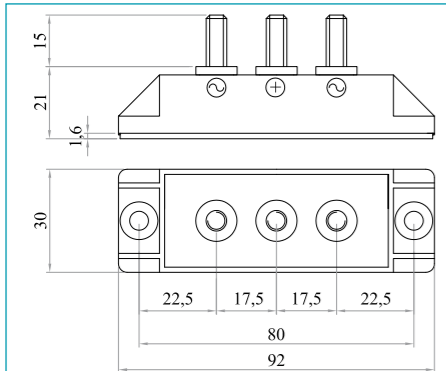
MCFDIS01



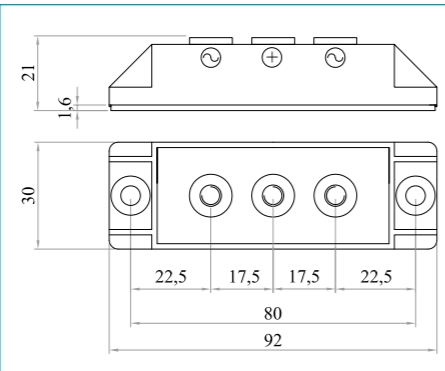
MCFDIS02



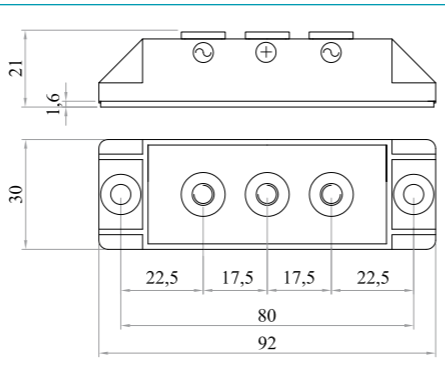
MCFDIS03



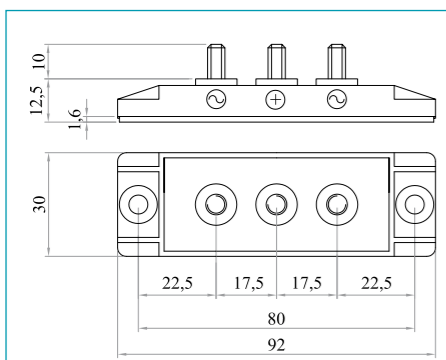
MCFDIS04



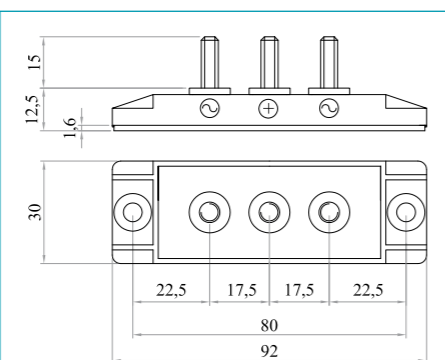
MCFDIS05



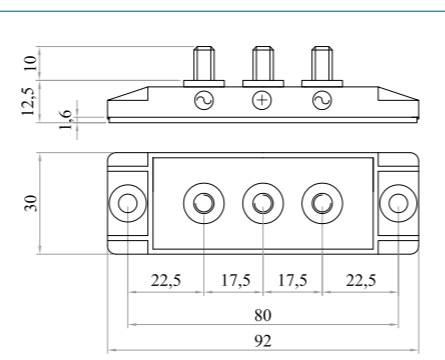
MCFDIS06



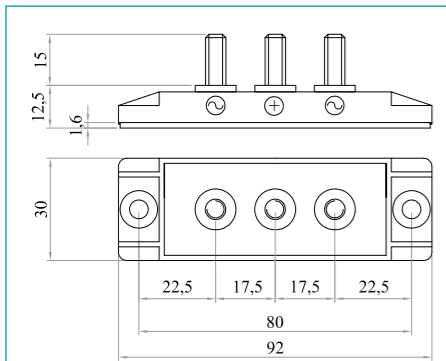
MCFDIS07



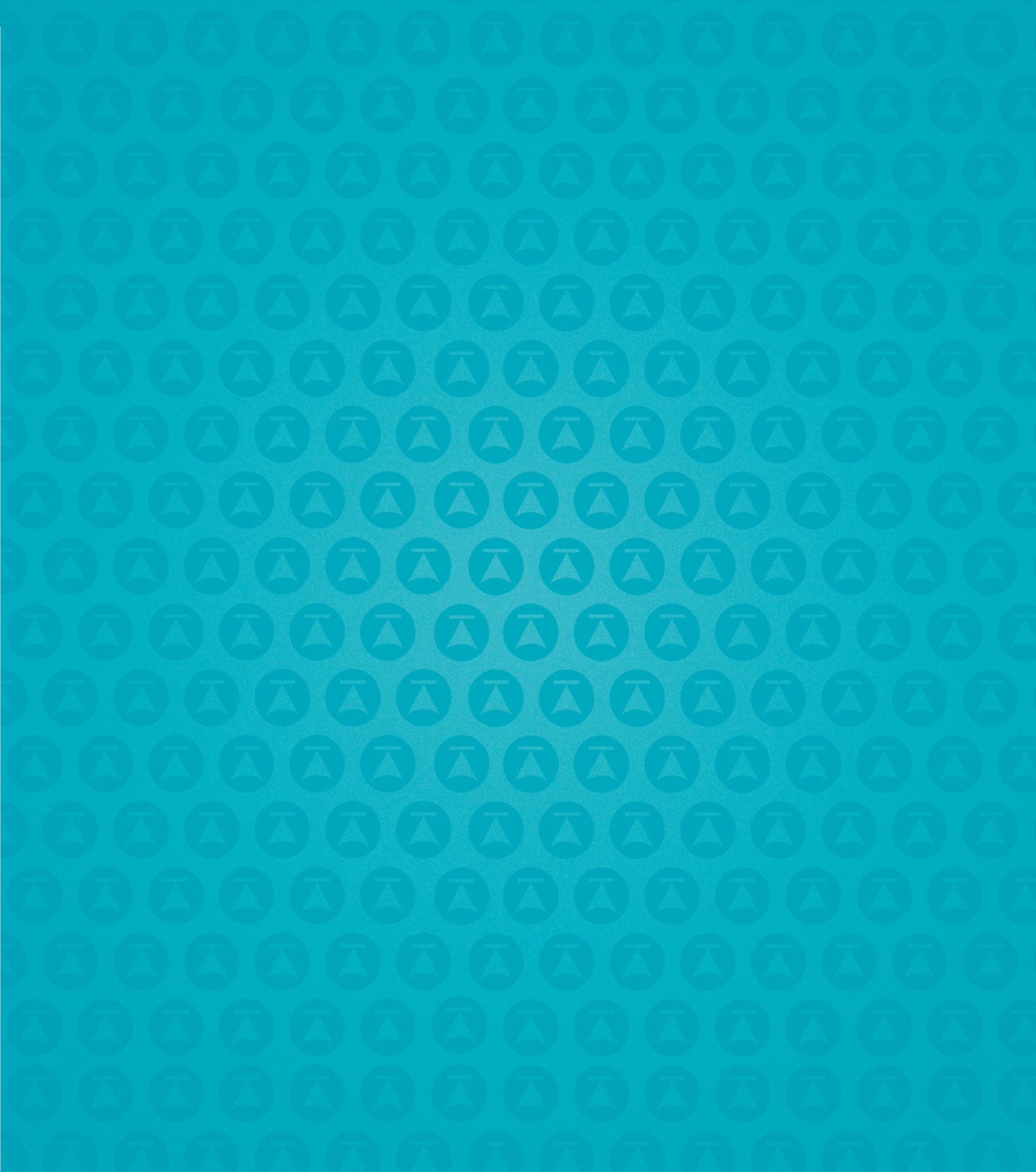
MCFDIS08



MCFDIS09



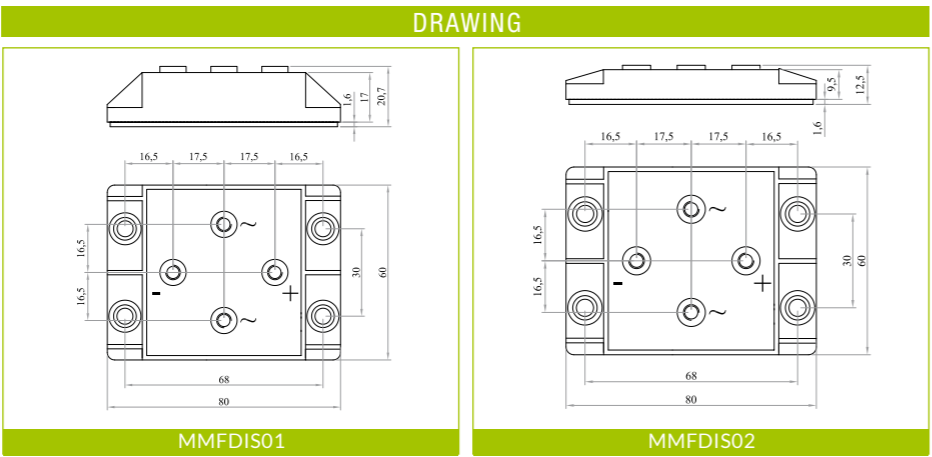
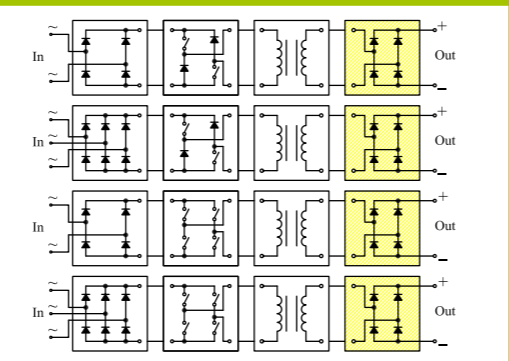
MCFDIS10





MMF

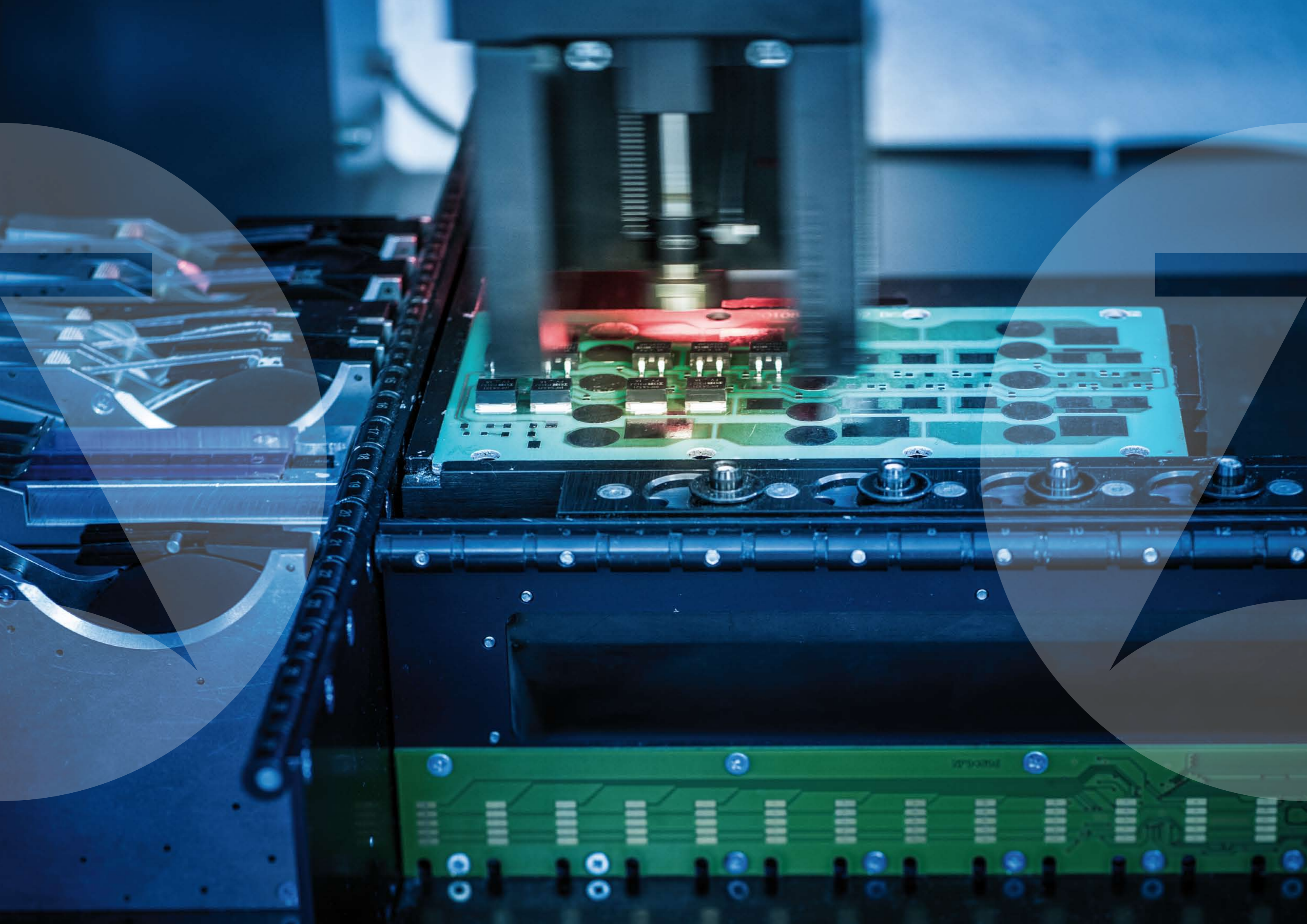
FAST RECOVERY DIODES POWER MODULE
INSULATED BASE - SINGLE PHASE BRIDGE



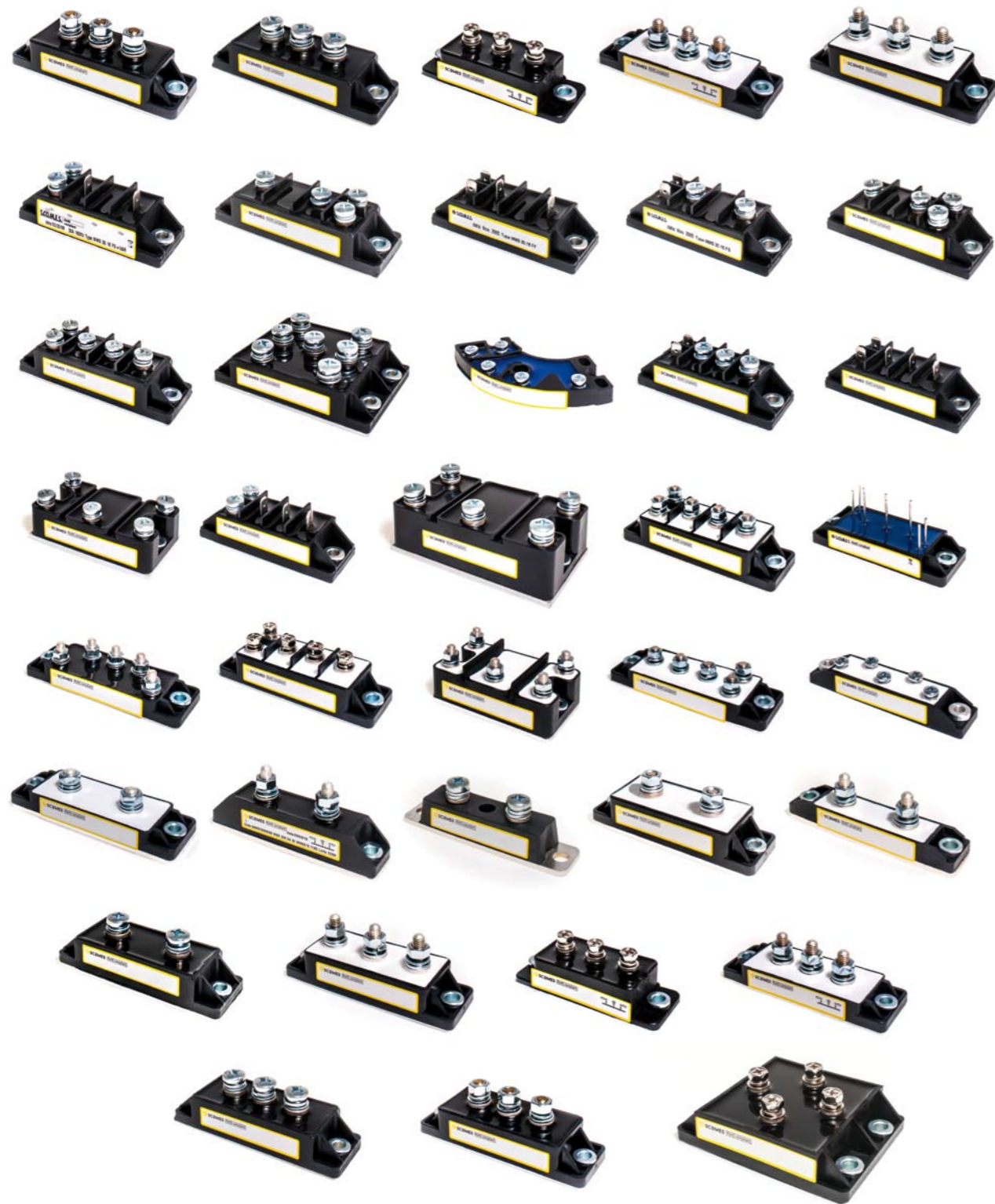
ELECTRICAL PARAMETERS										
TYPE	V _{rrm} [V]	I _{out}		I _{fsm} T _j =25°C 10ms [A]	I ² t [A²s]	V _{fm} T _j =150°C [V]	I _{rrm} T _j =150°C [mA]	T _{rr} [ns]	R _{thj-c} [°C/W]	R _{thc-h} [°C/W]
		[A]	T _c [°C]							
MMF80.04	400	80	110	800	3200	1,2	4	193	0,83	0,060
MMF100.04	400	100	125	1500	11250	1,1	4	210	0,48	0,058

PRODUCT DETAILS MMF80.04					
	POWER CONNECTION	CASE FIXING	DRAWING	PAGE	ORDERING CODE
LOW OUTLINE	SS5	FIX5	MMFDIS02	28	980000800001
HIGH OUTLINE	SS5	FIX5	MMFDIS01	28	980000800000

PRODUCT DETAILS MMF100.04					
	POWER CONNECTION	CASE FIXING	DRAWING	PAGE	ORDERING CODE
LOW OUTLINE	SS5	FIX5	MMFDIS02	28	980001000001
HIGH OUTLINE	SS5	FIX5	MMFDIS01	28	980001000000



SEMICONDUCTOR MODULES



Technical datas on this catalogue are indicative and cannot be used as data contract.



Organizzazione con sistema di gestione certificato
ISO 9001:2008



S.CO.M.E.S. SRL

Via Enrico Mattei, 6/8 • I-26823 Castiglione D'adda (LO) - Italy

Tel. +39 0377 901243 • Fax +39 0377 900206

commerciale@scomes.it

PARTITA IVA/VAT N° IT 06775010157



SCOMES

WWW.SCOMES.IT